

# rpb NOVA 2000 TALK

## INSTRUCTION MANUAL



**Employers:** Read this manual and carry out the Employer Responsibilities (page 5).

**Product users:** Read this manual and follow the Product User Safety Instructions (page 6).

Make sure this manual is available to all users for reference.

**Español:** [www.rpbsafety.com/product/nova-talk/](http://www.rpbsafety.com/product/nova-talk/)

**PROTECTING YOU FOR  
LIFE'S BEST MOMENTS®**

**rpb®**

## **CONTENTS**

■ EXPLANATION OF SIGNAL WORDS AND SYMBOLS	2
■ INTRODUCTION	3
■ IMPORTANT SAFETY INFORMATION	
□ PROTECTION PROVIDED AND LIMITATIONS	4
□ EMPLOYER RESPONSIBILITIES	5
□ PRODUCT USER SAFETY INSTRUCTIONS	6
■ SETUP AND CARE	7
■ RADIO COMPATIBILITY	12
■ PARTS AND ACCESSORIES	14
■ WARRANTY AND LIABILITY STATEMENT	16

## **EXPLANATION OF SIGNAL WORDS AND SYMBOLS**

The following signal word and safety symbols are used in this manual and product labeling:

**⚠ WARNING** **WARNING** indicates a hazardous situation that, if not avoided, could result in death or serious injury.



**Read the Instruction Manual.**

Additional copies of RPB<sup>®</sup> manuals can be found at [www.rpbsafety.com](http://www.rpbsafety.com).

---

**RPB<sup>®</sup> Safety LLC is an ISO9001 certified company.**

## INTRODUCTION

The Nova 2000® Talk is an advanced in helmet communication system for use with the Nova 2000® Respirator. This is a wireless communication system with push to talk function, a noise cancelling microphone, and comfort foam padding that connects to your industrial radios. There is two versions of the Nova 2000® Talk. The 09-900 is the standard communication system. The 09-800 with the 09-813 PTT is the intrinsically safe communication system for flammable or explosive atmospheres.

See PROTECTION PROVIDED AND LIMITATIONS (page 4) for details.

### **RPB® SAFETY - GLOBAL HEADQUARTERS**

2807 Samoset Rd, Royal Oak, MI 48073, USA.

T: 1-866-494-4599 F: 1-866-494-4509 E: sales.us@rpbsafety.com **rpbsafety.com**

### **RPB® SAFETY - APAC**

1 Ivan Jamieson Place, Christchurch Airport, Christchurch 8053 New Zealand.

T: +64-3-357-1761 F: +64-3-357-1763 E: sales.nz@rpbsafety.com **rpbsafety.com**

### **RPB® SAFETY - EMEA**

Unit 2, Teardrop Industrial Park, London Road, Swanley, BR8 8TS, United Kingdom

T: +44-800-689-5031 E: sales@rpbsafety.co.uk **rpbsafety.com**

Copyright ©2018 RPB Safety, LLC. All rights reserved. All materials contained on this website are protected by United States copyright law and may not be reproduced, distributed, transmitted, displayed, published or broadcast without the prior written permission of RPB Safety, LLC. You may not alter or remove any trademark, copyright or other notice from copies of the content.

All trademarks, service marks, and logos used in this publication, both registered and unregistered, are the trademarks, service marks, or logos of their respective owners. The green and gray color combination is a registered trademark of RPB Safety, LLC. All rights in the RPB Intellectual Property contained in this publication, including copyright, trademarks, service marks, trade secret, and patent rights are reserved. RPB Intellectual Property means any patent, patented articles, patent applications, designs, industrial designs, copyrights, software, source code, database rights, moral rights, inventions, techniques, technical data, trade secrets, know-how, brands, trademarks, trade names, slogans, logos, and any other common law and proprietary rights, whether registered or unregistered anywhere in the world, that are owned by, developed in whole or in part by, or licensed by RPB Safety, LLC.

For technical assistance contact our Customer Service Department at 1-866-494-4599 or email: customerservice@rpbsafety.com

Form #: 1024

Rev: 2

## **IMPORTANT SAFETY INFORMATION**

**⚠ WARNING** Improper selection, fit, use, or maintenance of this product can result in injury; life threatening delayed lung, skin or eye disease; or death.

This product is intended for occupational use in accordance with applicable standards or regulations for your location, industry, and activity (see Employer Responsibilities, page 5). Familiarity with standards and regulations related to the use of this protective equipment is recommended, even if they do not directly apply to you. If self-employed or if used in a non-occupational setting, refer to Employer Responsibilities and Product User Safety Instructions. Go to [rpb-safety.com/important-safety-information/](http://rpb-safety.com/important-safety-information/) for helpful links to OSHA and other content.

**Employers:** Read this manual and carry out the Employer Responsibilities (page 5).

**Product users:** Read this manual and follow the Product User Safety Instructions (page 6).

## **LIMITATIONS**

### **HAZARD LIMITATIONS**

The RPB<sup>®</sup> Nova 2000<sup>®</sup> Talk™ communication system is **NOT FOR USE** if:

- In a flammable or explosive atmosphere is present when using the 09-900 standard communication system.

### **HEARING:**

- Hearing protection must be worn and properly fitted when exposed to noise levels that exceed the OSHA permissible exposure levels.

## EMPLOYER RESPONSIBILITIES

Your specific responsibilities may vary by location and industry, but in general RPB® expects that employers will:

■ **Follow all applicable standards and regulations for your location, industry, and activity.**

Depending on your location and industry, a number of standards and regulations may apply to your selection and use of communication systems. These may include such things as federal (e.g., OSHA, MSHA, Canadian Occupational Health and Safety), local (e.g., state, provincial), or military standards and regulations and consensus standards such as ANSI and CSA. Know which requirements apply to your location and industry.

■ **Have appropriate safety programs in place.**

Have and follow a workplace safety program.

■ **In accordance with the above,**

- **Perform a hazard analysis and select appropriate equipment for each activity.** A hazard analysis should be performed by a qualified person. Controls should be in place as appropriate and a qualified person should determine what kind of communication system and hearing protection is appropriate for the intended activities and environments of use. (For example, intrinsically safe systems, that meets or exceeds the required level for employee protection, etc.)

As applicable, check your workplace safety program and standards and regulations for your activity or industry for related protection requirements, and see this manual (Limitations, page 4) and the Nova 2000® Instruction Manual for product specifications.

■ **Train employees in the Nova 2000® Talk™'s use, maintenance, and limitations.**

Appoint a qualified individual who is knowledgeable about the Nova 2000® Talk™ and Nova 2000® per ANSI/ASSE Z88.2 guidelines to provide training:

Section 8.1 Qualifications of the Respirator Trainer. Anyone providing respirator training shall:

- a) be knowledgeable in the application and use of the respirator(s);
- b) have practical knowledge in the selection and use of respirator(s) and work practices at the site;
- c) have an understanding of the site's respirator program; and
- d) be knowledgeable of applicable regulations.

Train each Nova 2000® Talk™ user in the product's use, application, inspection, maintenance, storage, fitting, and limitations in accordance with the content of this Instruction Manual and standard or regulatory requirements. Ensure that each intended user reads both these documents.

■ **Ensure that equipment is properly set up, used, and maintained.**

Make sure that equipment is properly set up, inspected, fitted, used, and maintained, including selection of the appropriate type of radio for the application.

■ **If you have any questions, contact RPB®.**

- Call Customer Service Department at: Tel: 1-866-494-4599, Email: customerservice@rpbsafety.com, Web: rpbsafety.com

## **PRODUCT USER SAFETY INSTRUCTIONS**

### **BEFORE INITIAL USE - BE TRAINED**

Do not use this product until you have read this manual and the Nova 2000® Instruction Manual (additional copies available at [www.rpbsafety.com](http://www.rpbsafety.com)) and been trained in the respirator's use, maintenance, and limitations by a qualified individual (appointed by your employer) who is knowledgeable about the RPB® Nova 2000® Talk™.

### **MAKE SURE THE SYSTEM IS READY FOR USE**

**Make sure you have a complete system.** Verify that you have all required components for the Nova 2000® Talk™ to serve as a complete system.

Use only authentic RPB® brand parts and components. Using incomplete or inappropriate equipment, including the use of counterfeit or non-RPB® parts, can result in inadequate function. Do not modify or alter any part of this product.

**Inspect** all components daily for signs of damage or wear and tear that may reduce the function originally provided. Remove any damaged component or product from service until repaired or replaced.

**Make sure that the Talk™ system is correctly assembled** in the configuration that suits your application. An incomplete or improperly installed system could provide inadequate function. See *Setup and Care* (page 16).

### **VERIFY THAT YOU HAVE THE APPROPRIATE EQUIPMENT FOR YOUR ACTIVITY**

Verify that the Talk™ system being used is appropriate for your activity. As applicable, check your workplace safety program, and standards and regulations for your activity or industry. Determine if an intrinsically safe system is needed. (See LIMITATIONS, page 4.)

**DO NOT ENTER THE WORK AREA** if any of the following conditions exist:

- A flammable or explosive atmosphere is present when using the 09-900 standard communication system.

### **LEAVE THE WORK AREA IMMEDIATELY IF:**

- Any product component becomes damaged.
- Communication stops working and could be a danger to your safety.

### **PRODUCT CARE**

Never place the Talk™ system on hot surfaces. Do not apply paints, solvents, adhesives or self-adhesive labels except as instructed by RPB®. This product may be adversely affected by certain chemicals.

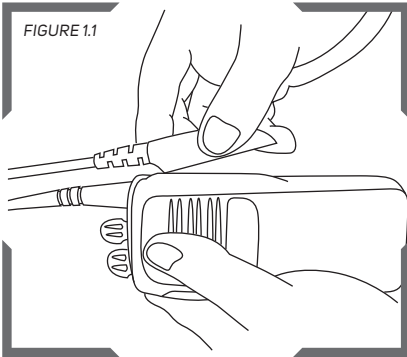
Clean with mild detergent and a soft cloth or a cleaning wipe.

### **INSTRUCTIONS FOR SPECIFIC USES OR ENVIRONMENTS**

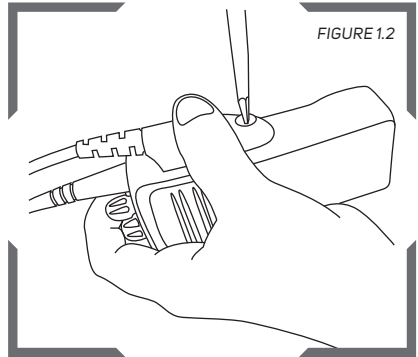
#### **Flammable or Explosive Environments**

Use the 09-800 with the 09-813 PTT Intrinsically Safe model.

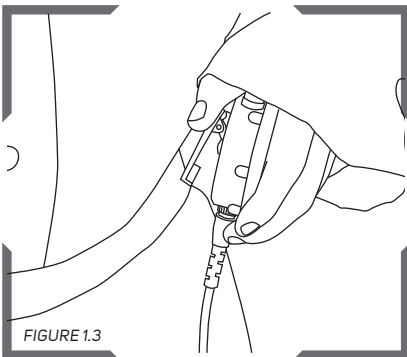
## SET UP AND USE



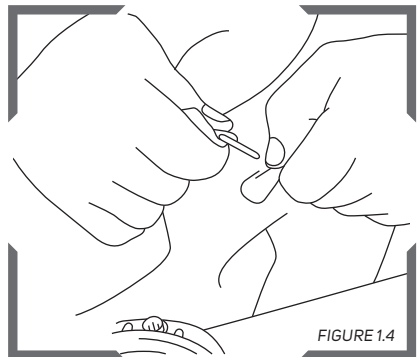
Connect the PTT Cable to the Hand Set.



Use a Flat head screwdriver to tighten the connection screw.

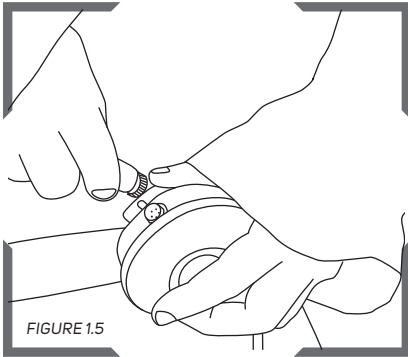


Attach the PTT to your belt so your elbow can activate the Button.

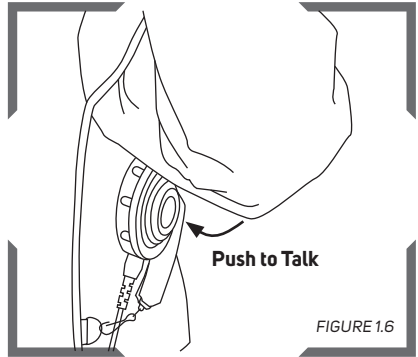


Place the helmet on and connect the clips and D Rings on the Cape together.

**SETUP AND USE CONTINUED**



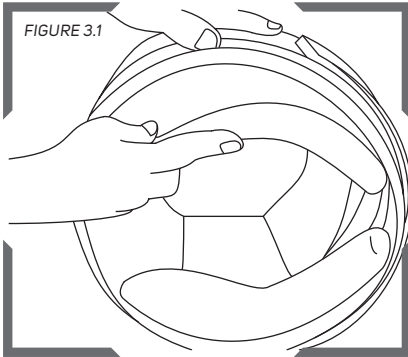
Connect the PTT cable to the head set cable and place the cable underneath the cape.



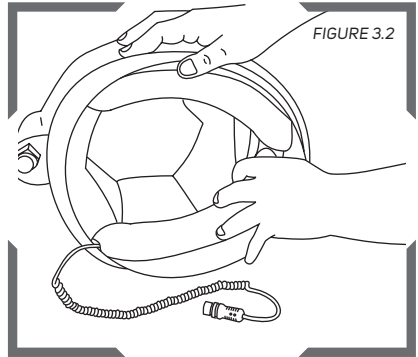
To operate the device, press your elbow onto the PTT Button, and then speak.



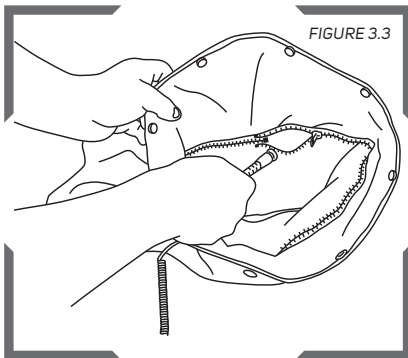
**UPGRADE**



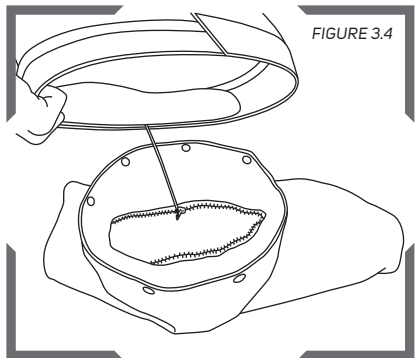
Remove the Cape & Sidewings from your old Nova Helmet.



Place the Nova Talk Sidewings into the helmets, ensuring that they are securely attached to the Velcro Studs.



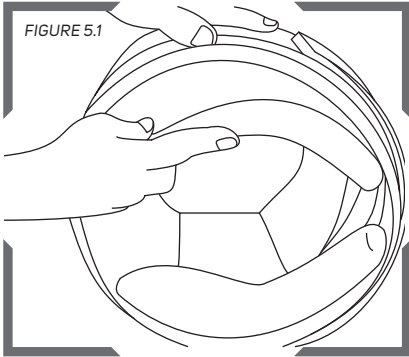
Open the zip in the inner bib so that the Cable from the Head Set can pass through.



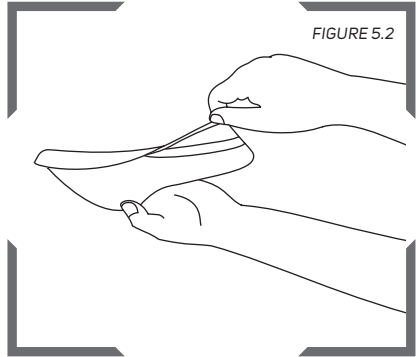
Close the zip so that there are no gaps. Then refer to the Set up Section to complete the Set Up of the Nova Talk Helmet.

**SETUP AND USE CONTINUED**

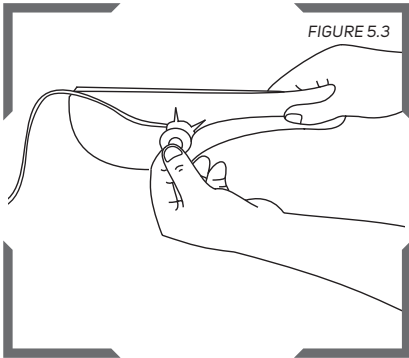
**MAINTENANCE**



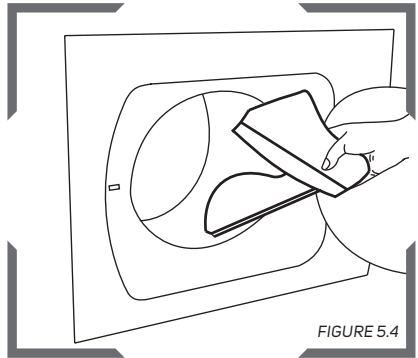
After removing the cape from the helmet, take the side wing out of the helmet.



Open the side wing cover.



Carefully remove the headset from the side wing. Note: this device is fragile, please use extreme care.



The Side wing and cover can be wiped clean or washed in a conventional washing machine.

## NOTES

A series of horizontal dotted lines for writing notes.

**RADIO CONNECTORS COMPATIBILITY**

09-930



FIGURE 22.1

**MOTOROLA**

AXU4100, AXV5100, BPR40, CLS1110, CLS1410, CLS1413, CLS1450C, CLS1453C, CP100, CP150, CP185, CP200, CP88, CT125, CT150, CT250, CT450, CT450LS, DTR, DTR410, DTR550, DTR650, GP200, GP2000, GP300, GP308, GP68, GP88, GT1, GTX, LTS2000, P040, P080, P110, P1225, P1225LS, P200, P2000, PR400, RDK, RDU, RDU2020, RDU2080D, RDU4100, RDU4160D, RDV, RDV2020, RDV2080D, RDV5100, SP10, SP21, SP50, VL50, XTN, XTN446, XTN500, XTN600, XU1100, XU2100, XU2600, XV1100, XV2100, XV2600

**RELM**

RPV6500, RPV6500

09-931

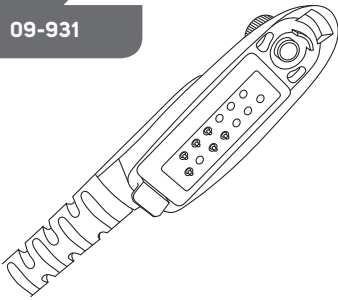


FIGURE 22.2

**HYT**

TC-980

**MOTOROLA**

CBPRO, GP1280, GP140, GP320, GP328, GP329, GP338, GP339, GP340, GP360, GP380, GP640, GP650, GP680, GP960, HT1250, HT1250LS, HT1550, HT1550XLS, HT750, JT1000, MTX8250, MTX8250LS, MTX850, MTX850LS, MTX9250, MTX950, PR860, PRO5150, PRO5350, PRO5450, PRO5550, PRO5750, PRO7150, PRO7350, PRO7450, PRO7550, PRO7750, PRO9150, PTX700, PTX760, PTX780

09-932

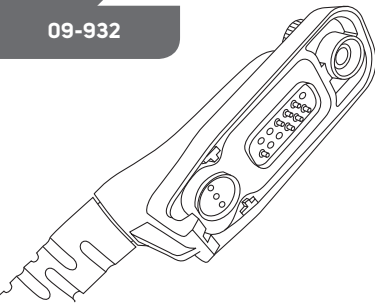


FIGURE 22.3

**MOTOROLA**

Turbo

APX 7000, XPR6300, XPR6500, XPR6550, APX 7500, XPR6100, XPR6350, XPR6580

09-933

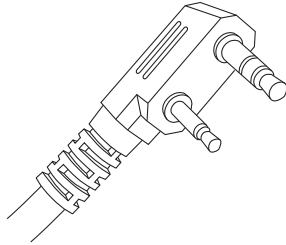


FIGURE 22.4

**HYT**

TC-268, TC-268S, TC-270, TC-368, TC-368S, TC-370

**KENWOOD**

TH-22AT, TH-235A, TH-28A, TH-42AT, TH-48A, TH-77A, TH-78A, TH-D7A(G), TH-F6, TH-F6A, TH-G71A, TH-K2AT, TK-208, TK-2100, TK-2102, TK-2130, TK-2160, TK-2170, TK-220, TK-2200, TK-2200LP, TK-2212L, TK-2302VK, TK-240, TK-240D, TK-248, TK-250, TK-260, TK-260D, TK-260G, TK-270, TK-270G, TK-272G, TK-308, TK-3100, TK-3101, TK-3102, TK-3130, TK-3131, TK-3160, TK-3170, TK-3173, TK-320, TK-3200, TK-3200LP, TK-3212L, TK-3230, TK-3230XLS, TK-3302UK, TK-340, TK-340D, TK-348, TK-350, TK-353, TK-360, TK-360G, TK-370, TK-370G, TK-372G, TK-373, TK-430, TK-431, TK-2312, TK-3312

**RELM**

RPU416, RPU4200, RPU499, RPV4200, RPV516, RPV599X

09-934

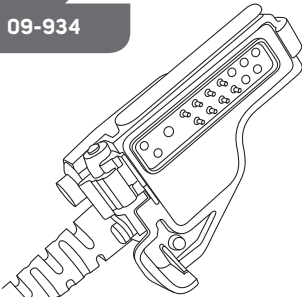


FIGURE 22.5

**EF JOHNSON**

51 SLES Series, 5100 Series, 511X, 512X, 514X, 518X, Ascend ES Series

**MOTOROLA**

GP900, GP9000, HT1000, MT1500, MT2000, MTS2000, MTX8000, MTX838, MTX900, MTX9000, MTX960, MTXLS, PRI500, X1500, XTS1500, XTS2000, XTS2500, XTS3000, XTS3500, XTS5000, GP1200

09-935

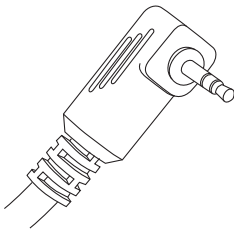


FIGURE 22.6

**COBRA**

CXR700, CXR800, CXR900, CXR920, CXT400, Li Series, LI3900, LI5600, LI6000, LI6500, LI6700, LI7000, LI7020, MRHH100, MRHH200, PR Series, PR190, PR240, PR245, PR3000, PR3100, PR3175, PR350, PR4000, PR4100, PR4250, PR4300, PR5000, PR560

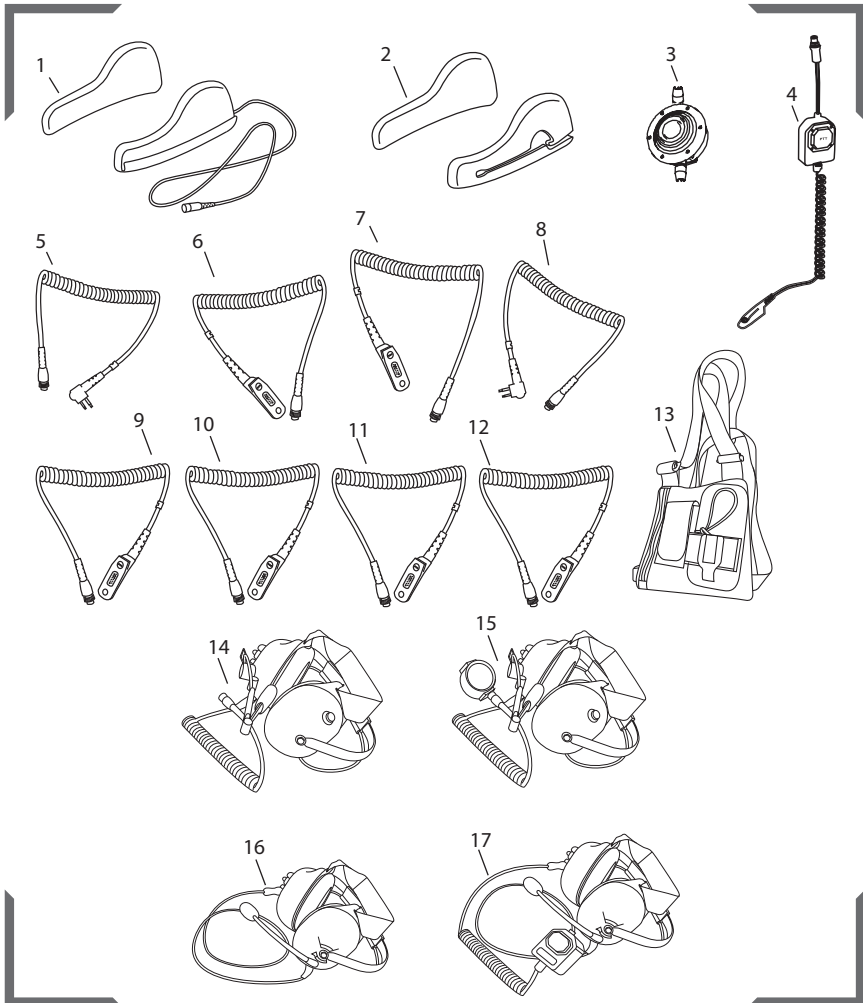
**HYT**

TC-320

**MOTOROLA**

EM1000, FR50, FR60, FV300, FV300R, FV700R, FV750R, MH230R, MJ270R, MR350R, MR355R, SPIRITGT, SPIRITGT Plus, SX600R, SX900R, T270, T280, T289, T5100, T5200, T5300, T5320, T5400, T5410, T5420, T5500, T5600, T5620, T5700, T5710, T5720, T5800, T5820, T5920, T5950, T6200, T6210, T6220, T6250, T6300, T6320, T6400, T6500, T7200, T7400, T8500, T8550, T9500XLR, T9550XLR, T9580R, T9680R, T9750R, TalkAbout

## PARTS AND ACCESSORIES FIGURE 6.1



### **⚠ WARNING**

Use only exact, authentic RPB<sup>®</sup> replacement parts (marked with the RPB<sup>®</sup> logo and part number), and only in the specified configuration. Using incomplete or inappropriate equipment, including the use of counterfeit or non-RPB<sup>®</sup> parts, can result in inadequate protection and will void the NIOSH approval of the entire respirator assembly.

## **PARTS** FIGURE 6.2

<b>Item No.</b>	<b>Description</b>	<b>Part No.</b>
1	Head Set for Nova Talk w/ Side Wing Pair	09-911
	Intrinsically Safe Head Set for Nova Talk w/ Side Wing Pair	09-811
2	Sidewing Pair without Head Set	09-912
	Intrinsically Safe Sidewing Pair without Head Set	09-812
3	Standard PTT	09-913
4	Intinsically Safe PTT with Radio Connector Cable	09-813
5	Nova Talk Motorola Connection Cable (2 Pin)	09-930
6	Nova Talk Motorola Connection Cable (Multi Pin)	09-931
7	Nova Talk Motorola Connection Cable (Multi Pin)	09-932
8	Nova Talk Kenwood Connection Cable (2 Pin)	09-933
9	Nova Talk Kenwood Connection Cable (Multi Pin)	09-934
10	Nova Talk Kenwood Connection Cable (Single Pin)	09-935
11	Nova Talk Kenwood Connection Cable (Multi Pin)	09-936
12	Nova Talk Motorola Connection Cable (X10 Connector)	09-937
13	Chest Harness	09-814
14	R-Tex High Noise Headset	09-915
15	R-Tex High Noise Headset w/PTT	09-916
16	Raider High Noise Intrinsically Safe Headset (Headset only)	09-815
17	Raider High Noise Intrinsically Safe including PTT	09-816

## **LIMITED WARRANTY**

RPB® warrants that its Products will be free from defects in materials and workmanship for one (1) year, subject to the terms of this limited warranty. The Products are sold only for commercial use, and no consumer warranties apply to the Products. This limited warranty is for the benefit of the original Product purchaser, and cannot be transferred or assigned. This is the sole and exclusive warranty provided by RPB®, and ALL CONDITIONS AND IMPLIED WARRANTIES (INCLUDING ANY WARRANTY OF MERCHANTABILITY OR FITNESS FOR A PARTICULAR PURPOSE) ARE EXCLUDED AND DISCLAIMED FROM WARRANTY COVERAGE. RPB's® limited warranty coverage does not apply to damage resulting from accident, improper use or misuse of the Products, wear and tear resulting from the normal use of the Products, or the failure to properly maintain the Products.

RPB's® limited warranty coverage runs from the original date of purchase of the Products, and applies only to warranted defects which first manifest themselves and are reported to RPB® within the warranty period. RPB® retains the right to determine to its reasonable satisfaction whether any claimed defect is covered by this limited warranty.

If a warranted defect occurs, RPB® will repair or replace the defective Product (or a component of the Product), in its sole discretion. This "repair or replacement" remedy is the sole and exclusive remedy under this limited warranty, and under no circumstances shall RPB's® liability under this limited warranty exceed the original purchase price for the Products (or the applicable component). RPB® has no responsibility for incidental or consequential damages, including loss of use, maintenance and other costs, and ALL INCIDENTAL AND CONSEQUENTIAL DAMAGES ARE EXCLUDED AND DISCLAIMED from this limited warranty. Contact RPB® to obtain warranty service. Proof of purchase must be provided to obtain warranty service. All costs of returning the Products to RPB® for warranty service must be paid by the purchaser.

RPB® reserves the right to improve its Products through changes in design or materials without being obligated to purchasers of previously manufactured Products.

## **LIABILITY**

RPB® Safety cannot accept any liability of whatsoever nature arising directly or indirectly from the use or misuse of RPB® Safety products, including purposes that the products are not designed for. RPB® Safety is not liable for damage, loss or expense resulting from the failure to give advice or information or the giving of incorrect advice or information, whether or not due to RPB® Safety's negligence or that of its employees, agents or subcontractors.

## **PROPOSITION 65 - CALIFORNIA RESIDENTS**

**WARNING:** This product contains a chemical known to the State of California to cause cancer.

**WARNING:** This product contains a chemical known to the State of California to cause birth defects or other reproductive harm.







# NOTES

A series of horizontal dotted lines for writing notes.

## OTHER PRODUCTS

### RPB® QUIET-LINK™ EAR DEFENDERS

The RPB® Quiet-Link™ ear defender system fits directly to the Z-Link® and T-Link® with no modifications. Combine with RPB® Earplugs for the ultimate in hearing protection. Protect your hearing for Life's Best Moments.



### COMMS-LINK™

The world's most advance in-helmet communication system for Z-Link® and T-Link®. The RPB® Comms-Link™ system allows you to communicate without interrupting your work. The in-helmet headset and microphone connect to most professional radios.



### POWERED AIR RESPIRATOR

Polluted air can be the cause of major health issues. How can you improve the quality of the air your employees are breathing? The RPB® PX4 AIR® is a powered air purifier that is ergonomic and lightweight, designed to withstand harsh conditions. Powered with a lithium-polymer battery, making the unit incredibly efficient, operating for up to 8 hours on a single charge.



1-866-494-4599

RPBSAFETY.COM

**rpb**®