

rpb Z100 SERIES

INSTRUCTION MANUAL



CONTENTS

■ Introduction	3
■ Respiratory Component Concept	4
■ Warnings	5
■ Respirator Operation	7
■ Special/Critical Users instructions - Breathing Air Pressure Table	8
■ Respirator Assembly & Setup	9
■ Donning the Respirator	11
■ Doffing the Respirator	13
■ Inspection Cleaning & Storage	15
■ Parts List	16
■ New & replacement RPB [®] Z100 [™] Respirators	18
■ Appendix A	18

**Read all instructions and warnings before using this product.
Keep this manual for future reference.**

RPB[®] Safety Global Headquarters

2807 Samoset Rd, Royal Oak, MI 48073, USA.

T: 1-866-494-4599 F: 1-866-494-4509 E: sales.us@rpbsafety.com rpbsafety.com

RPB[®] Safety Asia Pacific Headquarters

652 Halswell Junction Road, Hornby South 8042 New Zealand.

T: +64-3-357-1761 F: +64-3-357-1763 E: sales.nz@rpbsafety.com rpbsafety.com

RPB[®], Advancing Your Safety[®], Nova[®], Nova 3[®], Radex[®], Zytec[®], Z-LINK[®] and T-LINK[®] are registered trademarks of RPB[®] Safety LLC

For technical assistance contact our Customer Service Department at 1-866-494-4599 or email: customerservice@rpbsafety.com

FORM #: 7.20.520

REV: 1

RPB™ **Z100**™ SERIES

INTRODUCTION

The RPB® Z100™ is approved by NIOSH in two categories as follows:

■ Type C Supplied Air Respirator - When used with RPB® Supplied Air Hose and Flow Device Systems.

The RPB® Z100™ is designed for use in Grinding, Brazing and other industrial applications in which respiratory protection is needed.

The RPB® Z100™ is available in two fit options, head suspension or hard hat which meets ANSIZ89.1 Type 1 Class E.

The table on pages 18 details the different models, replacement hood style, material specification, Lens Protections, Bib style, Headgear and flow control devices.

The RPB® Z100™ has been designed for use in atmospheres that are NOT IMMEDIATELY DANGEROUS TO LIFE OR HEALTH (IDLH).

The RPB® Z100™ is approved for use with any one of the following flow control devices:

03-101 Constant Flow Valve (High Pressure)

NV2016 Flow Control Valve

4000-40 Cool Air Tube

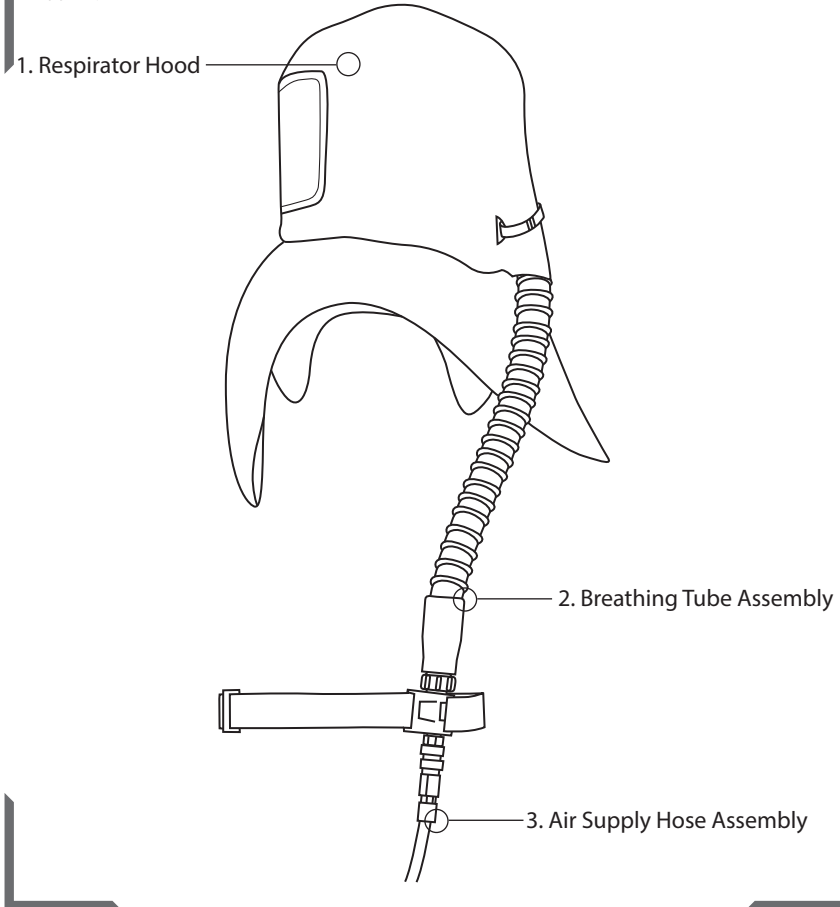
WARRANTY

All RPB® products are covered by a manufactures warranty of 3 months. The manufacturer warranty covers defects in material, workmanship and does not cover damage caused by misuse or abuse. RPB®'s only obligation and your exclusive remedy shall be to repair, replace or refund the purchase price of such parts or products upon the presentation of proof of purchase. Maximum liability is in no case to exceed the value of the RPB® Product involved.

RESPIRATORY COMPONENT CONCEPT

The RPB® Z100™ consists of 3 main components:

FIGURE 1.1



!WARNING! Failure to use genuine parts and components that are part of the NIOSH approved respirator assembly will void the approval of the entire respirator assembly.

rpb® **Z100**™ SERIES

!WARNINGS!

1. Do not use this respirator until you have been trained in the respirators use, maintenance and limitations by a qualified individual (appointed by your employer) who has extensive knowledge of the RPB® Z100™ Series Respirator.
2. Before using this respirator ensure your employer has determined that airborne contaminant concentrations do not exceed those allowed by applicable OSHA, EPA or NIOSH regulations and recommendations for continuous-flow supplied air respirators. Federal law requires that the employer measures and monitors airborne contaminant levels in the work area.
3. **DO NOT WEAR** this respirator if any of the following conditions exist:
 - Atmosphere is immediately dangerous to life or health.
 - You **CAN NOT** escape without the aid of the respirator.
 - Atmosphere contains less than 19.5% Oxygen.
 - Work area is poorly ventilated.
 - Contaminants are in excess of regulations or recommendations.
4. Do not modify or alter this respirator. Use only parts and components that are part of the NIOSH approved respirator assembly. The use of non RPB® parts voids the NIOSH approval of the entire respirator assembly.
5. Inspect all components daily for signs of damage or wear that may reduce the level of protection originally provided.
6. Do not use this respirator in abrasive blasting or welding applications.
7. Do not wear this respirator until you have passed a complete physical exam maybe including a lung X-ray conducted by qualified medical personnel.
8. Improper use of this respirator may cause injury or death. Improper use may also cause life threatening delayed lung disease such as silicosis, pneumoconiosis or asbestosis.
9. This respirator, when properly fitted and used, significantly reduces but does not completely eliminate the breathing of contaminants by the respirator wearer.
10. Be certain your employer has determined that the breathing air source provides at least Grade D breathable air. The respirator must be supplied with clean breathable air at all times.
11. Do not connect the respirator's air supply hose to nitrogen, toxic gases, inert gases or other non-breathable non Grade D air source. Check the air source before using the respirator. Failure to connect the supply hose to the proper air source could result in serious injury or death.
12. **DO NOT** use this respirator in poorly ventilated areas or confined spaces unless the area is well ventilated and that the contaminant concentrations are below those recommended for this respirator. Follow all procedures for confined space entry, operation and exit as defined in applicable regulations and standards including 29 CFR 1910.146.

13. RPB® Zytec® is a flame-resistant fabric and can be used around, heat, sparks and molten metal applications. RPB® Zytec® fabric's thermal protective performance, vertical flammability, predicted flash fire protection level and thermal shrinkage resistance far exceed NFPA2112 requirements.
14. LEAVE WORK AREA IMMEDIATELY IF:
 - Any respirator component becomes damaged.
 - Airflow stops or slows down.
 - Breathing becomes difficult.
 - You become dizzy, nauseous, too hot, too cold, or ill.
 - Vision is impaired.
15. The fabric that the respirator is made of may create static electricity under low humidity. For more information on this Zytec material, please call one of our Customer Care Operators on 1-866-494-4599 or visit rpb-safety.com.
16. This respirator does not provide head protection. Use 07-126 hard hat for ANSI Z89.1 head protection.
17. This respirator does not provide hearing protection. Approved ear muffs (ear defenders) or ear plugs must be properly fitted when exposed to noise levels that exceed OSHA permissible exposure levels.
18. This respirator provides eye and face protection to ANSI Z87+ .

AIR FILTRATION & CARBON MONOXIDE MONITORING

It is an OSHA requirement that the RPB® Z100™ supplied air respirator be supplied with CGA G-7.1 Grade D air. To achieve this, RPB® recommends using the Radex™ Airline Filter (04-900) and a GX4® Gas Monitor (08-400). Further information is available by contacting RPB® on 1-866-494-1599 or from your nearest authorized RPB® distributor.

RPB[®] Z100[™] SERIES

NIOSH – CAUTIONS & LIMITATIONS

- A) Not for use in atmospheres containing less than 19.5 percent oxygen.
- B) Not for use in atmospheres immediately dangerous to life or health.
- C) Do not exceed maximum use concentrations established by regulatory standards
- D) Air-line respirators can be used only when the respirators are supplied with respirable air meeting the requirements of CGA G-7.1 Grade D or higher quality.
- E) Use only the pressure ranges and hose lengths specified in the user's instructions
- H) Follow established cartridge and canister change schedules or observe ESLI to ensure that cartridge and canisters are replaced before breakthrough occurs.
- I) Contains electrical parts which have not been evaluated as an ignition source in flammable or explosive atmospheres.
- J) Failure to properly use and maintain this product could result in injury or death.
- L) Follow the manufacturer's User's Instructions for changing cartridges, canister and/or filters
- M) All approved respirators shall be selected, fitted, used and maintained in accordance with MSHA, OSHA, and other applicable regulations.
- N) Never substitute, modify, add or omit parts. Use only exact replacement parts in the configuration as specified by the manufacturer.
- O) Refer to user's instructions, and/or maintenance manuals for information on use and maintenance of these respirators.
- P) NIOSH does not evaluate respirators for use as surgical masks.
- S) Special or critical user's instructions and/or specific limitations apply. Refer to user Instructions on page 8 (breathing air pressure table) before donning.

RESPIRATOR OPERATION

AIR QUALITY

This respirator must be supplied with clean breathable air at all times. Breathable air must at least meet the requirements for Type 1 gaseous air described in the Compressed Gas Association Commodity Specifications G.7.1 (Grade D or higher) and as specified by Federal Law 42 CFR 84, subpart J.84.141(b) and 29 CFR 1910.134 (i) the RPB[®] Z100[™] does not purify air or filter contaminants.

AIR SOURCE

Supplied Air

Locate the air source in a clean air environment; always use a filter on the inlet of your air source. Do not park vehicles

beside your air inlet as this will cause carbon monoxide to be drawn into your air supply. Always use suitable after coolers/dryers with filters and carbon monoxide alarms to ensure clean breathable air is supplied at all times. The air should be regularly sampled to ensure that it meets Grade D requirements.

BREATHING AIR SUPPLY HOSES & FITTINGS

RPB[®] air supply hoses and fittings that are part of the NIOSH approved respirator assembly must be used between the point of attachment and the respirator breathing air connection at the wearer's belt. The hose sections must be within the correct length and the amount of sections must be within the

number specified in the breathing air pressure table on page 10.

BREATHING AIR PRESSURE

The air pressure must be continually monitored at the point of attachment to confirm it meets Grade D requirements. Air pressure must be read from a reliable pressure gauge whilst the respirator has air flowing through it.

!WARNING!

Failure to supply the minimum required air pressure (for the length of air supply hose) at the point of attachment could result in contaminants being inhaled. This risk is due to the pressure in the helmet becoming negative when the peak inhalation flow (at high work rates) exceeds that of the supplied air.

The RPB® Z100™ Breathing Air Pressure table on page 8 defines the air pressure ranges needed to provide the respirator with a volume of air which falls in the required range of 6-15cfm (170-425 lts/min).

!WARNING!

Make sure you understand the Breathing Air Pressure table before using this respirator.

1. Determine your air source (column 1).
2. Identify your breathing tube assembly (column 2).
3. Confirm the part number of the air supply hose you are using (column 3).
4. Check your RPB® Air Supply Hose is within the correct length (column 4).
5. Set the air pressure at the point of attachment within the range specified (column 6) for your breathing tube

assembly, hose length and number of hose sections (column 5).

6. Make sure air is flowing through your respirator when setting the air pressure.

rpb[®] Z100™ SERIES

SPECIAL OR CRITICAL USERS INSTRUCTIONS

BREATHING AIR PRESSURE TABLE *Table 1.1*

This table lists air pressure ranges needed to provide the RPB® Z100™ with the volume of air that falls within the required range of 6-15cfm or 170-425 lts/min according to U.S government regulations.

1. AIR SOURCE	2. BREATHING TUBE ASSEMBLY AND FLOW CONTROL DEVICES	3. AIR SUPPLY HOSE	4. SUPPLY HOSE LENGTH (FT)	5. MAX NUMBER OF SECTIONS	6. PRESSURE RANGE (PSIG AIR)
Portable or Stationary Compressor	NV2021F/03-101 Constant Flow Valve Assembly (High Pressure)	NV2028 (25ft) NV2029 (50ft) NV2027 (100ft)	25	1	10 - 14
			50	1	12 - 14
			100	2	17 - 19
			150	3	21 - 23
			200	4	25 - 27
			250	5	28 - 31
300	6	31 - 34			
Portable or Stationary Compressor	NV2021F/NV2016 Flow Control Valve Assembly	NV2028 (25ft) NV2029 (50ft) NV2027 (100ft)	25	1	27-28
			50	1	28-30
			100	2	30-33
			150	3	33-36
			200	4	36-38
			250	5	38-39
300	6	39-43			
Portable or Stationary Compressor	NV2021F/4000-40 Climate Control Tube Assembly (Silenced Cooler)	NV2028 (25ft) NV2029 (50ft) NV2027 (100ft)	25	1	55-56
			50	1	55-57
			100	2	60-62
			150	3	65-67
			200	4	70-72
			250	5	75-77
300	6	78-80			

Note: Please see appendix A, B, & C for other Hose configurations

!WARNING! Respirators must be supplied with respirable air meeting the requirements of CGA G-7.1 Grade D or Higher Quality.

RESPIRATOR ASSEMBLY & SETUP

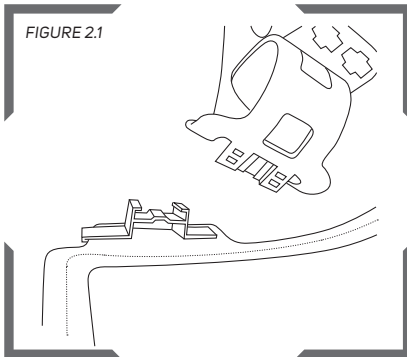


FIGURE 2.1

Attach 07-920 Head Suspension

Place the head suspension inside the respirator and connect it by sliding up into the two mounts located at the top of the lens.

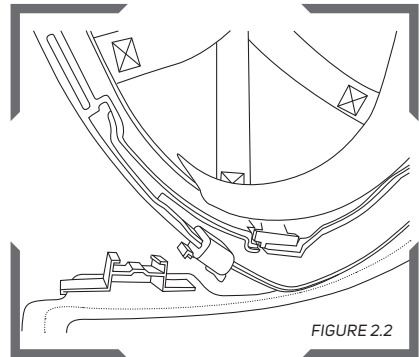


FIGURE 2.2

Attach 07-126 Hard Hat

Place the hard hat inside the respirator and connect it by sliding up into the two mounts located at the top of the lens.

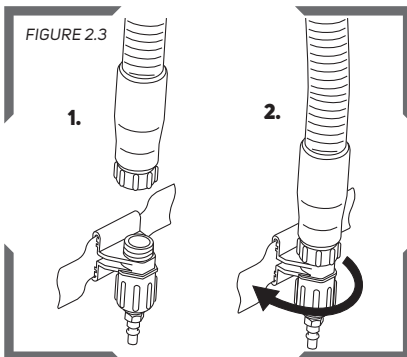


FIGURE 2.3

Attach Flow Control Devices

Thread on the loose running nut of the NV2021F Breathing Tube on to the Flow Control Device (e.g 03-101). Screw the running nut in a clockwise direction until tight.

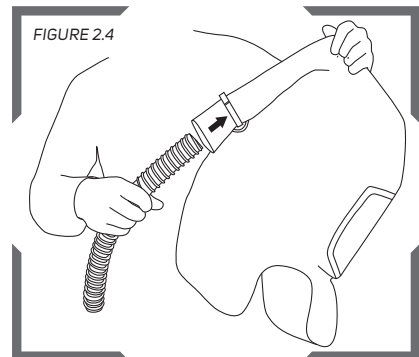


FIGURE 2.4

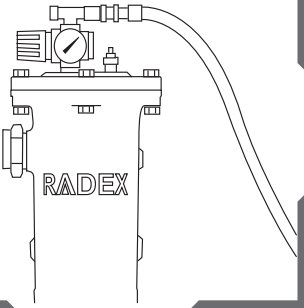
Connect Breathing Tube

Place the breathing tube into the inlet at the rear of the hood. Tighten the clamp to hold it in position. Test the connection by pulling down on the Breathing Tube.

rpb[®] Z100™ SERIES

RESPIRATOR ASSEMBLY & SETUP CONTINUED

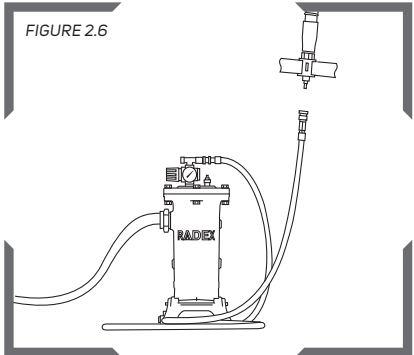
FIGURE 2.5



Adjust Air Pressure

Adjust the air pressure at the point of attachment according to the Breathing Air Pressure Table on page 10.

FIGURE 2.6



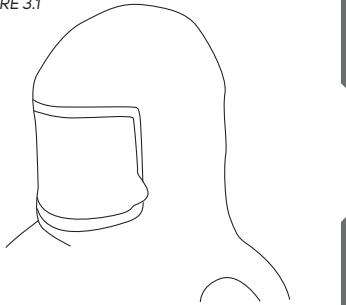
Connect air supply hose

Connect a RPB[®] Air Supply Hose insuring the maximum sections and lengths are within the specifications on page 10.

PEEL OFF LENSES

Peel-off lenses (07-123) are optional and are used to increase the life of your main lens. Peel-off Lenses come in packets of 50 each with double sided tape already in place.

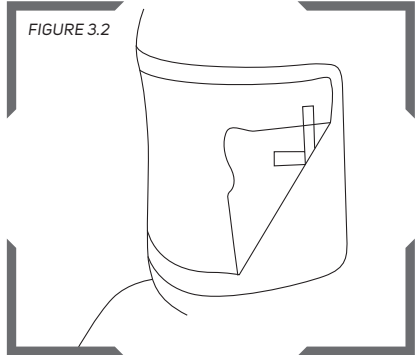
FIGURE 3.1



Apply Lens

Remove tape backing and adhere lens onto the center of the main lens on the respirator.

FIGURE 3.2

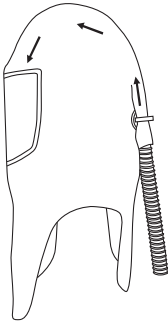


Remove Lens

Pull on the tab and the adhesive will give way.

DONNING THE RESPIRATOR

FIGURE 4.1



Check Air Flow

Before donning your RPB® Z100™, check that the air is flowing into it and it contains no dust, dirt or contaminants.

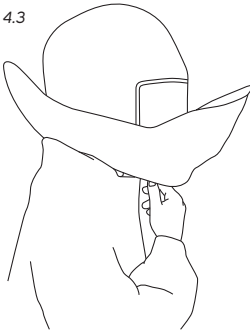
FIGURE 4.2



Put on Respirator

With air flowing, place the Respirator over your head, and make sure that the head suspension or hard hat is sitting comfortably and securely on your head.

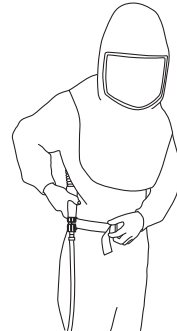
FIGURE 4.3



Tuck in the Collar

Tuck the inner collar into your clothing to create a positive pressure effect for the respirator. The air can also aide in cooling your body. Pull the outer collar down at the front, back and sides.

FIGURE 4.4

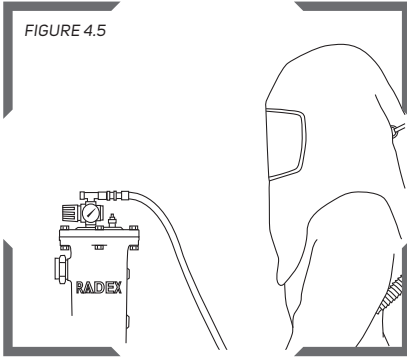


Fasten Belt

Connect the Flow Control device belt around your waist. It is recommended to have the device situated over your hip.

rpb[®] Z100™ SERIES

DONNING THE RESPIRATOR



Check Air Pressure

Re-check the air pressure at the point of attachment and adjust it if necessary. Ensure you are comfortable with the flow of air inside the respirator.

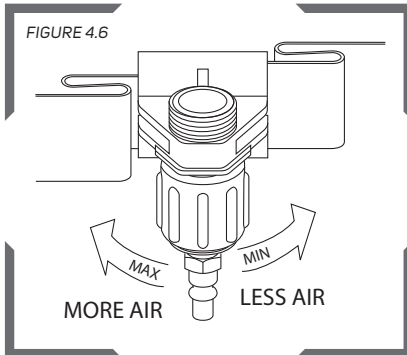
IMMEDIATELY LEAVE THE WORK AREA AND REMOVE THE RESPIRATOR IF ANY OF THE FOLLOWING OCCUR:

- The flow of air ceases or decreases.
- You feel ill (nauseous, dizzy, hot or cold)
- You feel breathless or have difficulty breathing.
- Any component in the respirator assembly becomes damaged.
- The pressure at the point of attachment dips below that recommended.
- You can see, smell or taste contaminants inside the respirator.
- You cannot see clearly

You are now ready to enter the work area.

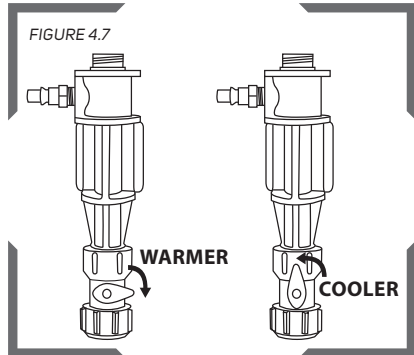
RESPIRATOR ASSEMBLY & SETUP CONTINUED

ADJUSTING THE FLOW RATE



Air flowing into the respirator is controlled by the NV2016 as shown in the illustration to the left. **Note:** With the pressure set according to the Breathing Air Pressure Table the flow rate of air through the respirator should always exceed the minimum of 170 l/min.

ADJUSTING THE TEMPERATURE



To obtain cooler air turn the regulator control knob counterclockwise so it is aligned along the length of the tube. This will increase the air flow out of the exhaust port. Similarly, turn the knob clockwise 90°, this will increase the temperature of the air closer to the ambient temperature of your air supply.

!WARNING! Do not use the 4000-40 Cold Air Tube when ambient temperature is below 68° (20°C) as ice could form in the cold air outlet resulting in insufficient airflow.

rpb[®] Z100™ SERIES

DOFFING YOUR RESPIRATOR

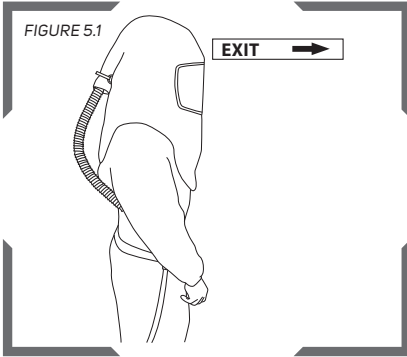


FIGURE 5.1

Leave Work Area

Continue wearing your Z100™ with Air flowing continuously until you have left the contaminated area. Once in a clean environment, undo the belt and remove the respirator.

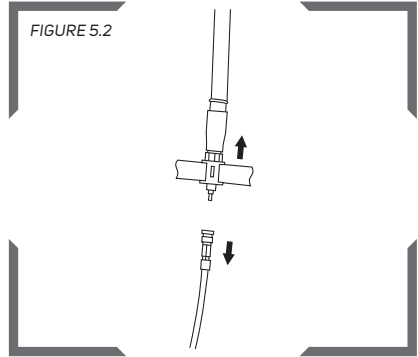


FIGURE 5.2

Disconnect Air Supply

It is now safe to disconnect the air supply hose using the quick disconnect coupler.

BREATHING TUBE REMOVAL

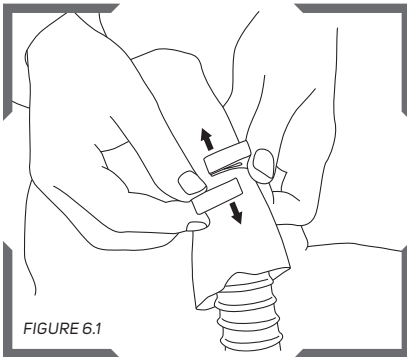


FIGURE 6.1

Remove Hose Clamp

Release the hose clamp by sliding the locks sideways in opposite directions.

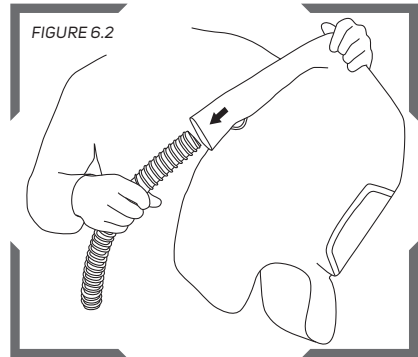


FIGURE 6.2

Detach Tube From Respirator

Remove the Breathing Tube from the respirator

!WARNING! Air Leaks will cause a drop in air flow resulting in less protection.

INSPECTION, CLEANING & STORAGE

The RPB® Z100™ has a limited service life, and therefore a regular inspection and replacement program must be conducted. All components of this Respirator Assembly including the Air Supply Hoses should be inspected for damage and wear and tear, before use. If any damaged or worn parts are found, they should be replaced immediately, or the Respirator disposed of. Use only parts and components that are part of the NIOSH approved respirator assembly as set out in this instruction manual. Refer to the parts list on page 16-19 for the correct part numbers.

RESPIRATOR

- Inspect the material for rips, tears, or damage including loose or missing threads, that may reduce the protection of the respirator .
- Inspect the lenses for cracks, scratches, or distortions that may reduce the clarity or protection of the lens. Do not wipe the lens with strong solvents, as they may damage, or distort the lens.
- Inspect the inner bib for elasticity and to ensure that there are no tears, missing treads, or other damage.
- If any part is damaged, replace them with parts and components that are part of the NIOSH approved respirator assembly only, or dispose of the respirator, and replace it with a new one.
- It is recommended that the RPB® Z100™ Respirator is cleaned and sanitized at least weekly, or more often if subjected to heavy use. To clean the RPB® Z100™ Hood remove the head suspension / hard hat from the hood. Using a mild detergent and warm water, clean the outside of the hood. Then turn the hood

inside out and wipe the lining clean. Once cleaned hang up in a clean dry environment. DO NOT use volatile solvents for cleaning this respirator or any parts and assemblies. Strong cleaning and disinfecting agents and many solvents can damage the plastic parts.

HEAD SUSPENSION AND HARD HAT

- Remove the Head Suspension or Hard Hat from the Respirator. Inspect for cracks, worn adjustment slots, or broken parts. Any parts that are damaged or worn must be replaced immediately.
- The brow pad can be removed, and cleaned in a conventional washing machine, or be rinsed with a light detergent and water. Do not clean with volatile chemicals.

AIR SUPPLY HOSES

Inspect the Air Supply Hose for cuts, cracks, blisters and excessive wear. Ensure the hose has not been crushed or kinked and that fittings are tightly crimped to the hose so air cannot escape. Replace the hose immediately if there are any signs of damage or wear. Do not run water through the inside of the hose. Check Quick Disconnect Couplings and use compressed air to remove any particles that may jam the coupler.

STORAGE

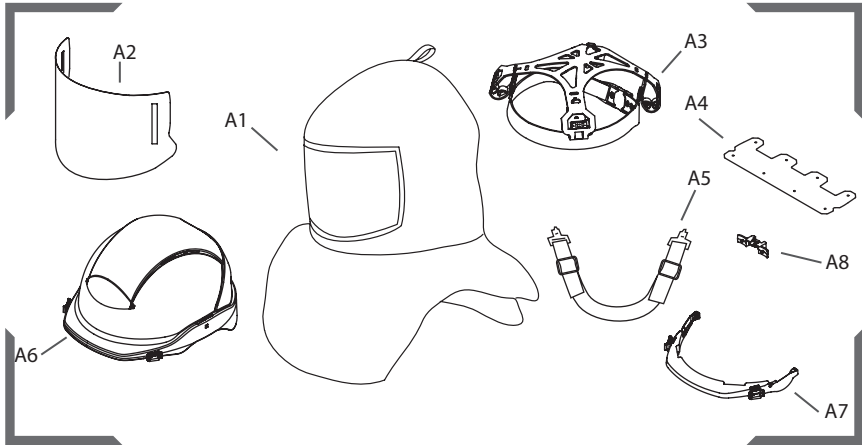
After the respirator and the components have been inspected and cleaned, place them in an air tight container, or plastic bag. Store Respirator parts away from contaminants, direct sunlight, heat, extreme cold, moisture, or harmful chemicals.

rpb[®] Z100™ SERIES

PARTS LIST

HOODS AND HARD HAT

Figure 7.1

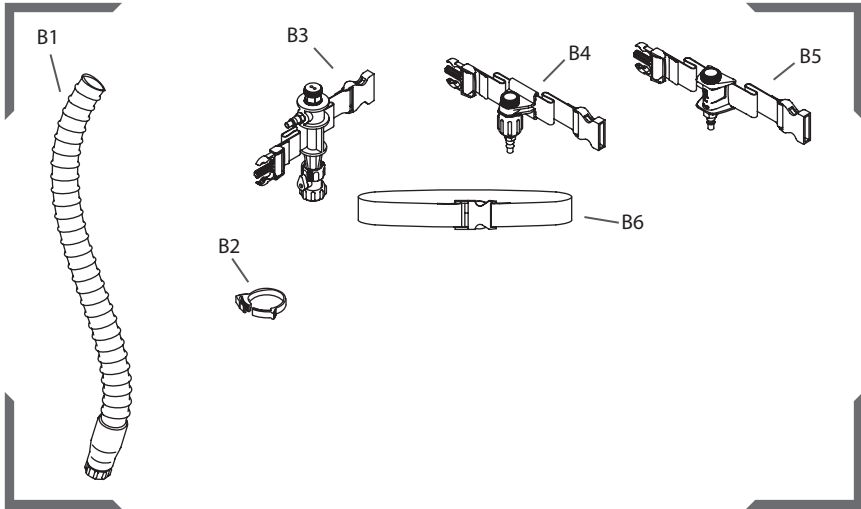


Item No.	Description	Part No.
A1	Respirator Hood w/Regular Bib and Safety Lens	07-160-S
A2	Peel-off Lens (Pkt. of 50)	07-123
A3	Head Suspension	07-920
A4	Head Suspension Brow Pad (Pkt. of 5)	07-924
A5	Optional Chin Strap	07-926
A6	Hard Hat (Incl. 07-125)	07-126
A7	Hard Hat, Clip Adapter	07-125
A8	Head Suspension Mount	07-121

Tychem[®] is a registered trademark of E.I. du Pont de Nemours and Company.

BREATHING TUBES AND CONTROL DEVICES

Figure 7.2






Item No.	Description	Part No.
B1	Breathing Tube	NV2021F
B2	Hose Clamp for Breathing Tube	07-122
B3	Cold Air Tube (Silenced)	4000-40
B4	Flow Control Valve	NV2016
B5	Constant Flow Valve	03-101
B6	Replacement Belt	NV2022

rp^b Z100™ SERIES

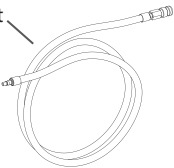
PARTS LIST CONTINUED

AIR SUPPLY HOSES

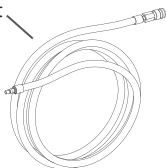
Figure 7.3

SERIES	1. COUPLERS	2. PLUGS	3. SUPPLIED AIR HOSE ASSEMBLIES
RPB® Quick Disconnect	NV2025 1/4" FM NPT 		NV2028 RPB 25ft 3/8" NV2029 RPB 50ft 3/8" NV2027 RPB 100ft 3/8"
Schrader Twist Lock	03-042-CF 1/4" FM NPT 	03-042-PM 1/4" M NPT 03-043-PM 3/8" M NPT 03-042-PMS 1/4" M NPT Swivel 	04-342-25 Schrader 25ft 04-342-50 Schrader 50ft 04-342-100 Schrader 100ft

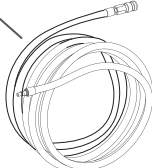
25ft



50ft



100ft



NEW & REPLACEMENT RPB® Z100™ RESPIRATORS *Figure 7.4*

Part Numbers	Replacement Hoods	Material Specification	Lens Protection	Bib Style		Head Gear			Air Flow Device		
				Regular	Extra Length	Head Suspension	Hard Hat	03-101 Constant Flow	NV2016 Flow Control	4000-40 Cool Air Tube	
07-161-5	✓	✓	✓	✓		✓		✓			
07-162-5	✓	✓	✓	✓		✓			✓		
07-163-5	✓	✓	✓	✓		✓					✓
07-165-5	✓	✓	✓	✓		✓					
07-166-5	✓	✓	✓	✓		✓					
07-261-5	✓	✓	✓	✓			✓	✓			
07-262-5	✓	✓	✓	✓			✓		✓		
07-263-5	✓	✓	✓	✓			✓				✓
07-265-5	✓	✓	✓	✓			✓				
07-266-5	✓	✓	✓	✓			✓				

rpb[®] Z100™ SERIES

APPENDIX A1 - SCHRADER AIR PRESSURE TABLE *Table 2.1*

1. AIR SOURCE	2. BREATHING TUBE ASSEMBLY AND FLOW CONTROL DEVICES	3. AIR SUPPLY HOSE	4. SUPPLY HOSE LENGTH (FT)	5. MAX NUMBER OF SECTIONS	6. PRESSURE RANGE (PSIG AIR)
Portable or Stationary Compressor	NV2021F/03-101 Constant Flow Valve Assembly (High Pressure)	04-342-25 (25ft) 04-342-50 (50ft) 04-342-100 (100ft)	25	1	18-20
			50	1	22-24
			100	2	26-28
			150	3	30-32
			200	4	34-36
			250	5	38-40
300	6	42-44			
Portable or Stationary Compressor	NV2021F/NV2016 Flow Control Valve Assembly	04-342-25 (25ft) 04-342-50 (50ft) 04-342-100 (100ft)	25	1	28-30
			50	1	30-32
			100	2	33-35
			150	3	36-38
			200	4	40-42
			250	5	44-46
300	6	48-50			
Portable or Stationary Compressor	NV2021F/4000-40 Climate Control Tube Assembly (Silenced Cooler)	04-342-25 (25ft) 04-342-50 (50ft) 04-342-100 (100ft)	25	1	60-65
			50	1	60-65
			100	2	65-70
			150	3	70-75
			200	4	75-80
			250	5	80-85
300	6	85-90			

OTHER PRODUCTS

ISO9001
CERTIFIED COMPANY

RPB® C40™ CLIMATE CONTROL

Looking for an advanced climate control device that can heat and cool your supplied air just by the slide of a lever? Look no further than the RPB® C40™. From the searing heat of an Arizona summer to a severe Scandinavian winter the RPB® C40™ will keep you comfortable.



AIRLINE FILTRATION

The RPB® RADEX AIRLINE FILTER™ offers increased capacity, versatility and filtration. This optional equipment combines the versatility of either floor or wall mounting with increased filtration capacity, enabling customization to meet worker's needs and working environments.



AIR QUALITY MONITORING

Do you need an intelligent gas monitor that can give you complete confidence in the air you and your employees are breathing? The RPB® GX4® Gas Monitor has the ability to detect up to 4 gases simultaneously, giving you total peace of mind.



1866 494 4599
www.rpbsafety.com

rpb®
ADVANCING
YOUR SAFETY