

rpb T150 SERIES

INSTRUCTION MANUAL

Department of Health and Human Services
Occupational Safety and Health
OSHA



Employers: Read this manual and the flow control device Instruction Manual and carry out the Employer Responsibilities (page 8).

Product users: Read this manual and the flow control device Instruction Manual and follow the Product User Safety Instructions (page 10).

Make sure this manual is available to all users for reference.

Español: www.rpbsafety.com/product/t150-series/#t150-series

PROTECTING YOU FOR
LIFE'S BEST MOMENTS®

rpb®


rpb[®] T150[™] SERIES


CONTENTS

■ EXPLANATION OF SIGNAL WORDS AND SYMBOLS	2
■ INTRODUCTION	3
■ IMPORTANT SAFETY INFORMATION	
□ PROTECTION PROVIDED AND LIMITATIONS	4
□ RESPIRATORY COMPONENT DIAGRAMS - NIOSH CAUTIONS & LIMITATIONS	6
□ AIR SOURCE, FITTINGS, AND PRESSURE	7
□ EMPLOYER RESPONSIBILITIES	8
□ PRODUCT USER SAFETY INSTRUCTIONS	10
□ BREATHING AIR PRESSURE TABLE	13
■ RESPIRATOR SETUP AND USE	15
■ DONNING AND DOFFING	16
■ STORAGE	17
■ INSPECTION, CLEANING AND MAINTENANCE	18
■ PARTS AND ACCESSORIES	20
■ WARRANTY AND LIABILITY STATEMENT	23

EXPLANATION OF SIGNAL WORDS AND SYMBOLS

The following signal word and safety symbols are used in this manual and product labeling:

 **WARNING** **WARNING** indicates a hazardous situation that, if not avoided, could result in death or serious injury.

 **DANGER** **DANGER** Indicates a hazardous situation that, if not avoided, will result in death or serious injury.



Read the Instruction Manual.

Additional copies of RPB[®] manuals can be found at www.rpbsafety.com.

RPB[®] Safety LLC is an ISO9001 certified company.

INTRODUCTION

The T150™ is designed to provide respiratory protection where additional eye and face protection is required, such as painting and chemical handling.

This product must be inspected and maintained in accordance with this instruction manual at all times.

See PROTECTION PROVIDED AND LIMITATIONS (page 4) for details.

RPB® SAFETY - GLOBAL HEADQUARTERS

2807 Samoset Rd, Royal Oak, MI 48073, USA.

T: 1-866-494-4599 F: 1-866-494-4509 E: sales.us@rpb-safety.com rpb-safety.com

RPB® SAFETY - APAC

652 Halswell Junction Road, Hornby South 8042 New Zealand.

T: +64-3-357-1761 F: +64-3-357-1763 E: sales.nz@rpb-safety.com rpb-safety.com

RPB® SAFETY - EMEA

Unit 2, Teardrop Industrial Park, London Road, Swanley, BR8 8TS, United Kingdom

T: +44-800-689-5031 E: sales@rpb-safety.co.uk rpb-safety.com

Copyright ©2018 RPB Safety, LLC. All rights reserved. All materials contained on this website are protected by United States copyright law and may not be reproduced, distributed, transmitted, displayed, published or broadcast without the prior written permission of RPB Safety, LLC. You may not alter or remove any trademark, copyright or other notice from copies of the content.

All trademarks, service marks, and logos used in this publication, both registered and unregistered, are the trademarks, service marks, or logos of their respective owners. All rights in the RPB Intellectual Property contained in this publication, including copyright, trademarks, service marks, trade secret, and patent rights are reserved. RPB Intellectual Property means any patent, patented articles, patent applications, designs, industrial designs, copyrights, software, source code, database rights, moral rights, inventions, techniques, technical data, trade secrets, know-how, brands, trademarks, trade names, slogans, logos, and any other common law and proprietary rights, whether registered or unregistered anywhere in the world, that are owned by, developed in whole or in part by, or licensed by RPB Safety, LLC.

For technical assistance contact our Customer Service Department at 1-866-494-4599 or email: customerservice@rpb-safety.com

Form #: 7.20.521

Rev: 2

RPB[®] T150[™] SERIES

IMPORTANT SAFETY INFORMATION



WARNING

Improper selection, fit, use, or maintenance of this product can result in injury; life threatening delayed lung, skin or eye disease; or death.

This product is intended for occupational use in accordance with applicable standards or regulations for your location, industry, and activity (see Employer Responsibilities, page 8). Familiarity with standards and regulations related to the use of this protective equipment is recommended, even if they do not directly apply to you. If self-employed or if used in a non-occupational setting, refer to Employer Responsibilities and Product User Safety Instructions. Go to rpb-safety.com/important-safety-information/ for helpful links to OSHA and other content.

Employers: Read this manual and the air supply device Instruction Manual and carry out the Employer Responsibilities (page 8).

Product users: Read this manual and the air supply device Instruction Manual and follow the Product User Safety Instructions (page 10).

PROTECTION PROVIDED AND LIMITATIONS

RESPIRATION

The RPB[®] T150[™] is approved by NIOSH as a Type C respirator in the categories as follows:

Supplied Air

The RPB[®] T150[™], when properly fitted and used with all required components, including the Breathing Tube Assembly, Flow Control Device, and RPB[®] Breathing Air Line is a NIOSH approved respirator with an assigned protection factor of 1000. As such, it significantly reduces, but does not completely eliminate, the breathing of contaminants by the respirator wearer. Use with an airline filter, such as the 04-900 RPB[®] RADEX[®] Airline Filter. Specific protection depends on the setup of the airline filter (see the RPB[®] RADEX[®] Instruction Manual). This respirator is approved with the 03-101 Constant Flow Valve, 03-106 Constant Flow Valve Low Pressure, or NV2016 Flow Control Valve Flow Control Devices.

HAZARD LIMITATIONS

The RPB[®] T150[™] is **NOT FOR USE** if:

- In atmospheres immediately dangerous to life or health (IDLH).
- Wearer cannot escape without the aid of the respirator.
- Atmosphere contains less than 19.5% oxygen.
- In abrasive blasting applications
- For protection against hazardous gases (e.g., carbon monoxide)
- Contaminants are in excess of regulations or recommendations.
- Contaminants or contaminant concentrations are unknown.
- Work area is poorly ventilated.
- The temperature is outside the range of 14°F to 140°F (-10°C to +60°C).

- The user needs to wear eye glasses or safety glasses.

FACE AND EYES:

- The T150™ meets ANSI/ISEA Z87.1 requirements and designed for painting and other industrial applications.
- The T150™ is not designed or tested to provide protection against molten metals or corrosive liquids.
- **Note:** Eye glasses cannot be worn with the T150™ as they would prevent it from completely sealing around the users face. If a job hazard analysis indicates that safety glasses must be worn in addition to the T150's face shield, choose a different respirator. The T150™ does not provide complete eye and face protection against severe impact and penetration and is not a substitute for good safety practices and engineering controls.

HEAD:

- The T150™ does not provide head protection.

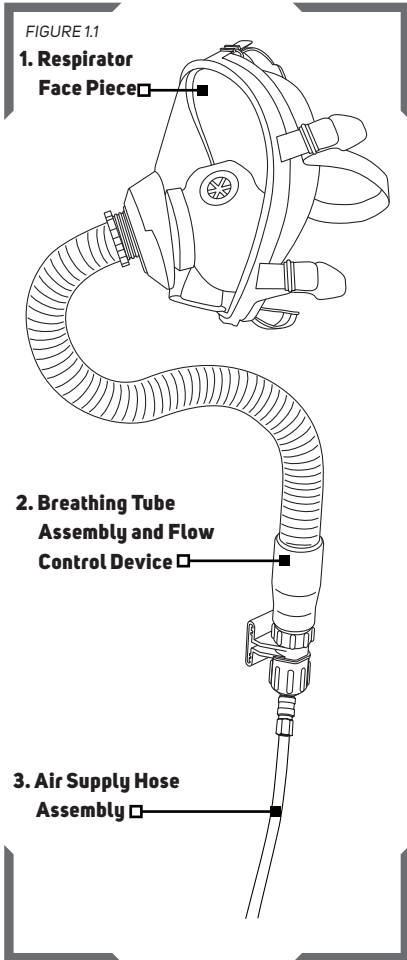
HEARING:

- The T150™ does not provide hearing protection. Other hearing protection, such as earplugs, must be properly fitted and worn where noise levels exceed the OSHA permissible exposure levels.

rpb[®] T150™ SERIES

RESPIRATOR COMPONENT CONCEPT

The RPB[®] T150™ consists of 3 main components:



- B. Not for use in atmospheres immediately dangerous to life or health.
- C. Do not exceed maximum use concentrations established by regulatory standards.
- D. Air-line respirators can be used only when the respirators are supplied with respirable air meeting the requirements of CGA G-71 Grade D or higher quality.
- E. Use only the pressure ranges and hose lengths specified in the user's instructions.
- J. Failure to properly use and maintain this product could result in injury or death.
- L. Follow the manufacturer's User's Instructions for changing cartridges, canister and/or filters.
- M. All approved respirators shall be selected, fitted, used and maintained in accordance with MSHA, OSHA, and other applicable regulations.
- N. Never substitute, modify, add or omit parts. Use only exact replacement parts in the configuration as specified by the manufacturer.
- O. Refer to user's instructions, and/or maintenance manuals for information on use and maintenance of these respirators.
- S. Special or Critical User Instructions and/or specific limitations apply. Refer to "S-Special or Critical User Instructions" on page 13 before donning.
- FF. Respirators are to be fit tested prior to use with the heaviest cartridge, canister, filters and or accessories intended to be used. Fit testing should also be conducted while wearing the proposed protective equipment intended to be used. See User's Instruction for fit test instructions.

NIOSH - CAUTIONS AND LIMITATIONS

SUPPLIED AIR

- A. Not for use in atmospheres containing less than 19.5 percent oxygen.

AIR SOURCE, FITTINGS, AND PRESSURE

AIR SOURCE

Supplied Air

Locate the air source in a clean air environment, always use a filter on the inlet of your air source. Make sure the air source is somewhere that vehicles, forklifts, and other machinery are not running near the air inlet, as this will cause carbon monoxide to be drawn into your air supply. Always use suitable after coolers/dryers with filters and carbon monoxide alarms to ensure clean breathable air is supplied at all times. A Radex® Airline Filter (04-900) and a GX4® Gas Monitor (08-400) are recommended. The air should be regularly sampled to ensure that it meets Grade D requirements.

AIR QUALITY

This respirator must be supplied with clean breathable air at all times. Breathable air must at least meet the requirements for Type 1 gaseous air described in the Compressed Gas Association Commodity Specifications G.7.1 (Grade D or higher) and as specified by Federal Law 42 CFR 84, subpart J.84.141(b) and 29 CFR 1910.134 (i). The RPB® T150™ does not purify air or filter contaminants. A carbon monoxide monitor must be used at all times.



DANGER

Do not connect the respirator's air supply hose to nitrogen, toxic gases, inert gases or other non-breathable air sources. Check the air source before using the respirator. This apparatus is not designed for use with mobile air supply systems i.e. cylinders. Connecting the supply hose to a non-breathable air source will result in serious injury or death.

BREATHING AIR SUPPLY HOSES AND FITTINGS

RPB® air supply hoses and fittings must be used between the point of attachment and the respirator breathing air connection at the wearer's belt. The hose sections must be within the correct length and the amount of sections must be within the number specified in the breathing air pressure table on page 13.

BREATHING AIR PRESSURE

The air pressure must be continually monitored at the point of attachment. Air pressure must be read from a reliable pressure gauge whilst the respirator has air flowing through it.

RPB[®] T150[™] SERIES

EMPLOYER RESPONSIBILITIES

Your specific responsibilities may vary by location and industry, but in general RPB[®] expects that employers will:

■ Follow all applicable standards and regulations for your location, industry, and activity.

Depending on your location and industry, a number of standards and regulations may apply to your selection and use of respirators and other personal protective equipment. These may include such things as federal (e.g., OSHA, MSHA, Canadian Occupational Health and Safety), local (e.g., state, provincial), or military standards and regulations and consensus standards such as ANSI and CSA. There are also requirements specific to particular contaminants, e.g. silica (see rpb-safety.com/important-safety-information/ for more information), asbestos, organic pathogens, etc. Know which requirements apply to your location and industry.

■ Have appropriate safety programs in place.

Have and follow:

- A workplace safety program.
- A written respiratory protection program in accordance with applicable standards and regulations (e.g., OSHA 29 CFR 1910.134; ANSI/ASSE Z88.2; CSA Z94.4, etc.).

■ Respiratory fit test .

It is an OSHA requirement that a qualitative or quantitative respirator fit test is carried out for each wearer before use as per the Respiratory Standard, 29 CFR 1910.134. The fit test is required to determine the amount of protection the respirator will provide, this test should be performed prior to initial use, whenever a different respirator is used, and at least annually thereafter. An additional fit test must also be performed whenever there are changes in the employee's physical condition that could affect the respirator fit, such as dental changes or an obvious change in body weight. RPB[®] recommends that a Quantifit Tester is used for this testing operation. The minimum fit factor of a full face respirator is 500. Facial hair will significantly affect the fit of this respirator.

■ Negative Pressure Fit Check.

Perform a Negative Pressure Fit Check. Test the respirator facepiece for tightness by placing the palm of your hand over the threaded hole for the breathing tube in the front of the facepiece. Inhale gently so that the facepiece collapses slightly and hold your breath for ten seconds. The facepiece will remain collapsed if the assembly is gas tight. If the facepiece does not remain collapsed, readjust the head harness straps and re-test. If any leakage is detected, investigate the condition and correct. The facepiece must be subjected to a tightness test without detection of leakage before each use.

■ In accordance with the above,

- **Perform a hazard analysis and select appropriate equipment for each activity.** A hazard analysis should be performed by a qualified person. Controls should be in place as appropriate and a qualified person should determine what kind of respiratory, face and eye, head, and hearing protection is appropriate for the intended activities and environments of use. (For example, select a respirator appropriate to the specific airborne hazards, with consideration of workplace and user factors and with an Assigned Protection Factor (APF) that meets or exceeds the required level for employee protection.)

As applicable, check your workplace safety program, respiratory protection program, and standards and regulations for your activity or industry for related protection requirements, and see this manual (Protection Provided and Limitations, page 4) and the flow control device Instruction Manual for product specifications.

■ **Be sure employees are medically qualified to use a respirator.**

Have a qualified physician or other licensed health care professional (PLHCP) perform medical evaluations using a medical questionnaire or an initial medical examination per OSHA 29 CFR 1910.134.

■ **Train employees in the T150™'s use, maintenance, and limitations.**

Appoint a qualified individual who is knowledgeable about the RPB® T150™ per ANSI/ASSE Z88.2 guidelines to provide training:

Section 8.1 Qualifications of the Respirator Trainer. Anyone providing respirator training shall:

- a) be knowledgeable in the application and use of the respirator(s);
- b) have practical knowledge in the selection and use of respirator(s) and work practices at the site;
- c) have an understanding of the site's respirator program; and
- d) be knowledgeable of applicable regulations.

Train each T150™ user in the product's use, application, inspection, maintenance, storage, fitting, and limitations in accordance with the content of this Instruction Manual and the approved flow control device Instruction Manual and standard or regulatory requirements. Ensure that each intended user reads both these manuals.

■ **Ensure that equipment is properly set up, used, and maintained.**

Make sure that equipment is properly set up, inspected, fitted, used, and maintained.

■ **Measure and monitor airborne contaminants in the work area.**

Measure and monitor airborne contaminant levels in the work area in accordance with applicable requirements. Make sure work area is well ventilated.

■ **If you have any questions, contact RPB®.**

■ Call Customer Service Department at:

Tel: 1-866-494-4599

Email: customerservice@rpbsafety.com

Web: rpbsafety.com

RPB[®] T150[™] SERIES

PRODUCT USER SAFETY INSTRUCTIONS

BEFORE INITIAL USE - BE TRAINED AND MEDICALLY QUALIFIED

Do not use this respirator until you have read this manual and the flow control device Instruction Manual (additional copies available at www.rpbsafety.com/resources/) and been trained in the respirator's use, maintenance, and limitations by a qualified individual (appointed by your employer) who is knowledgeable about the RPB[®] T150[™] Respirator.

Do not wear this respirator until you have passed a medical evaluation using a medical questionnaire or an initial medical examination by a qualified physician or other licensed health care professional (PLHCP).

Respiratory fit test .

It is an OSHA requirement that a qualitative or quantitative respirator fit test is carried out for each wearer before use as per the Respiratory Standard, 29 CFR 1910.134. The fit test is required to determine the amount of protection the respirator will provide, this test should be performed prior to initial use, whenever a different respirator is used, and at least annually thereafter. An additional fit test must also be performed whenever there are changes in the employee's physical condition that could affect the respirator fit, such as dental changes or an obvious change in body weight. RPB[®] recommends that a Quantifit Tester is used for this testing operation. The minimum fit factor of a full face respirator is 500. Facial hair will significantly affect the fit of this respirator.

Negative Pressure Fit Check.

Test the respirator facepiece for tightness by placing the palm of your hand over the threaded hole for the breathing tube in the front of the facepiece. Inhale gently so that the facepiece collapses slightly and hold your breath for ten seconds. The facepiece will remain collapsed if the assembly is gas tight. If the facepiece does not remain collapsed, readjust the head harness straps and re-test. If any leakage is detected, investigate the condition and correct. The facepiece must be subjected to a tightness test without detection of leakage before each use.

Allergens: Silicone - if silicone face seal is used.

Some materials could cause an allergic reaction in susceptible individuals. If you have a known allergy or develop irritation, inform your employer. Irritation may occur from lack of cleaning. Following all cleaning and care instructions provided in the instruction manuals for this and any other RPB[®] products you are using.

MAKE SURE THE SYSTEM IS READY FOR USE

Make sure you have a complete system. Verify that you have all required components for the T150[™] to serve as a complete NIOSH approved respirator:

- Respirator Helmet Assembly (T150[™])
- Breathing Tube Assembly
- Flow Control Device (Constant Flow Valve, Constant Flow Valve Low Pressure, or Flow Control Valve)
- Breathing Air Line (Supplied Air)

See *Respirator Component Diagram* (page 13). The RPB® T150™ is only approved to be used with the RPB® Constant Flow Valve, Constant Flow Valve Low Pressure, or Flow Control Valve. Use only authentic RPB® brand parts and components that are part of the NIOSH approved respirator assembly. Using incomplete or inappropriate equipment, including the use of counterfeit or non-RPB® parts, can result in inadequate protection and will void the NIOSH approval of the entire respirator. Do not modify or alter any part of this product.

Follow the Setup and Product Care instructions to inspect all components daily for signs of damage or wear and tear that may reduce the level of protection originally provided. Remove any damaged component or product, including any Facepiece that has been subject to impact, from service until repaired or replaced. Scratched or damaged safety lenses or other components should be replaced with genuine RPB® brand replacement parts. When safety and impact lenses are replaced, make sure to remove any additional protective film from both sides of the lens. If the film is left in place, it could affect the optical clarity of the lens and cause eye strain. Inspect the inside of the respirator for respirable dust or other foreign objects. Keep the inside of the respirator clean at all times.

Make sure that the Facepiece is correctly assembled in the configuration that suits your application. Never use the respirator without all components in place. These lenses, when installed properly, are part of the respiratory seal to prevent toxic or hazardous gases, liquids or dust from entering the helmet. An incomplete or improperly installed lens system could provide inadequate impact and respiratory protection. See *Respirator Setup and Care* (page 15). See *Donning* (page 16) for fit information.

VERIFY THAT YOU HAVE THE APPROPRIATE EQUIPMENT FOR YOUR ACTIVITY

Verify that the T150™ provides appropriate protection for your activity. As applicable, check your workplace safety program, respiratory protection program, and standards and regulations for your activity or industry. (See PROTECTION PROVIDED AND LIMITATIONS, page 4.)

BEFORE DONNING THE T150™:

Verify airborne contaminants are within recommended limits for respirator use:

- Determine the type and level of contamination. Verify that airborne contaminant concentrations do not exceed those allowed by applicable OSHA, EPA, or NIOSH regulations and recommendations for supplied air respirators.

Filtering the breathing air:

- **SAR:** Once the contamination levels have been confirmed, check to make sure the airline filter is working correctly. Follow the Radex® Airline Filter Instruction Manual.

Make sure the area is ventilated and monitored:

- Make sure that the area is well ventilated and that regular air samples are taken to confirm the atmosphere stays within the levels recommended by OSHA and other governing bodies. For Supplied Air, it is recommended to use a GX4® Gas Monitor. Follow the GX4® Gas Monitor Instruction Manual.

RPB[®] T150[™] SERIES

PRODUCT USER SAFETY INSTRUCTIONS CONTINUED

If you have any questions, ask your employer.

DO NOT ENTER THE WORK AREA if any of the following conditions exist:

- Atmosphere is immediately dangerous to life or health.
- You cannot escape without the aid of the respirator.
- Atmosphere contains less than 19.5% oxygen.
- Contaminants or contaminant concentrations are unknown.
- Work area is poorly ventilated.
- The work area is a confined space (unless proper measures are taken for confined spaces).
- The temperature is outside the range of 14°F to 140°F (-10°C to +60°C).

LEAVE THE WORK AREA IMMEDIATELY IF:

- Any product component becomes damaged
- Vision is impaired
- Airflow stops or slows down
- Breathing becomes difficult
- You become dizzy, nauseous, too hot, too cold, or ill
- Your eyes, nose, or skin become irritated
- You taste, smell, or see contaminants inside the helmet
- You have any other reason to suspect that the respirator is not providing adequate protection

PRODUCT CARE

Never place the respirator on hot surfaces. Do not apply paints, solvents, adhesives or self-adhesive labels except as instructed by RPB[®]. This product may be adversely affected by certain chemicals.

See the "Respirator Setup and Care" section for more specific cleaning instructions.

INSTRUCTIONS FOR SPECIFIC USES OR ENVIRONMENTS

Confined Spaces

If this respirator is used in confined spaces, ensure the area is well ventilated and that all contaminant concentrations are below those recommended for this respirator. Follow all procedures for confined space entry, operation, and exit as defined in applicable regulations and standards.

SPECIAL OR CRITICAL USERS INSTRUCTIONS

BREATHING AIR PRESSURE TABLE *Table 1.1*

This table lists air pressure ranges needed to provide the T150™ with the volume of air that falls within the required range of 6-15cfm or 170-425 lts/min according to U.S government regulations.

1. AIR SOURCE	2. AIR SUPPLY HOSE	3. FLOW CONTROL DEVICES WITH 03-031 BREATHING TUBE ASSEMBLY	4. SUPPLY HOSE LENGTH (FT)	5. MAX NUMBER OF SECTIONS	6. PRESSURE RANGE (PSIG AIR)
Portable or Stationary Compressor	NV2028 (25ft) NV2029 (50ft) NV2027 (100ft)	03-101 Constant Flow Valve Assembly (High Pressure)	25	1	5 - 6
			50	1	6 - 8
			100	2	9 - 10
			150	3	11 - 12
			200	4	13 - 14
			250	5	15 - 16
	300	6	17 - 18		
	04-342-25 (25ft) 04-342-50 (50ft) 04-342-100 (100ft)	NV2016 Flow Control Valve Assembly	25	1	12 - 13
			50	1	14 - 15
			100	2	16 - 17
			150	3	17 - 18
			200	4	19 - 20
250			5	20 - 21	
300	6	22 - 24			
03-101 Constant Flow Valve Assembly (High Pressure) with Schrader Fittings	NV2016 Flow Control Valve Assembly with Schrader Fittings	25	1	10-14	
		50	1	11-15	
		100	2	15-19	
		150	3	18-22	
		200	4	21-25	
		250	5	24-28	
300	6	26-30			
Low Pressure Compressor or Air Pump	NV2035 (50ft) NV2036 (100ft)	03-106 Constant Flow Valve Assembly (Low Pressure)	50	1	2.0 - 2.5
			100	1	2.5 - 3.0
			150	2	3.5 - 4.0
			200	2	4.2 - 4.7
			250	3	5.0 - 5.5
			300	3	5.2 - 5.7

RPB[®] T150[™] SERIES

SPECIAL OR CRITICAL USERS INSTRUCTIONS CONTINUED

WARNING

Make sure you understand the Breathing Air Pressure table before using this respirator.

1. Determine your air source (column 1).
2. Confirm the part number of the air supply hose you are using (column 2) and the flow control device (column 3) you are using.
3. Check your RPB[®] Safety Air Supply Hose is within the correct length (column 4) and the correct number of hose sections (column 5).
4. Set the air pressure at the point of attachment within the range specified (column 6).

Make sure air is flowing through your respirator when setting the air pressure.

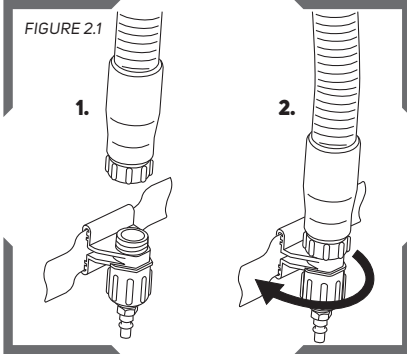
Failure to supply the minimum required air pressure at the point of attachment for the length of air supply hose will decrease the level of protection provided. In addition, could result in contaminants being inhaled as the pressure in the helmet may become negative due to peak inhalation flow when working at very high work rates. Low airflow will decrease the level of protection provided.

WARNING

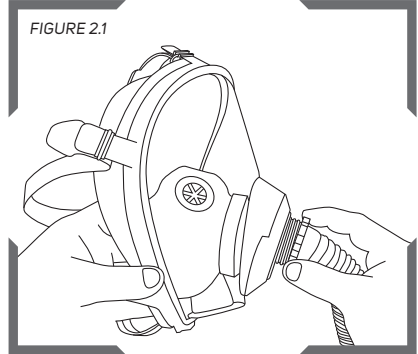
The T150[™] Supplied Air Respirator must be supplied with respirable air meeting the requirements of CGA G-7.1 Grade D or higher quality and meets OSHA or other governing body requirements.

RESPIRATOR SETUP AND USE

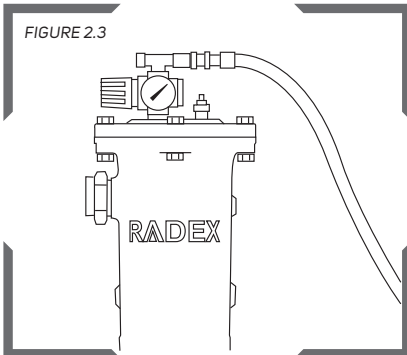
CONNECTING THE AIR SUPPLY



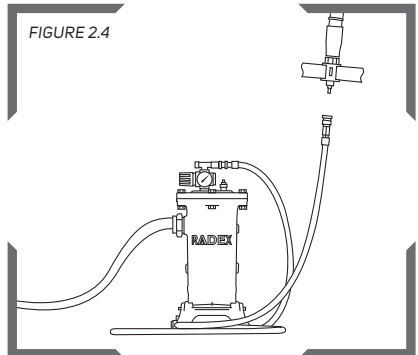
Thread on the loose running nut of the 03-031 Breathing Tube on to the Flow Control Device. Screw the running nut in a clockwise direction until tight.



Connect the 03-031 Breathing Tube to the Face Piece. Turn anti clockwise until tight. Clip the hose into the support clip at the side of the visor.



Connect the Breathing Air Supply Hose to the point of attachment and adjust the pressure to suit the Breathing Air Pressure Table.



Connect the Air Supply Hose to the Flow Control Device. Air should be now flowing through the Respirator. Confirm the pressure is still in accordance with the Breathing Air Pressure Table.

RPB[®] T150[™] SERIES

DONNING AND DOFFING

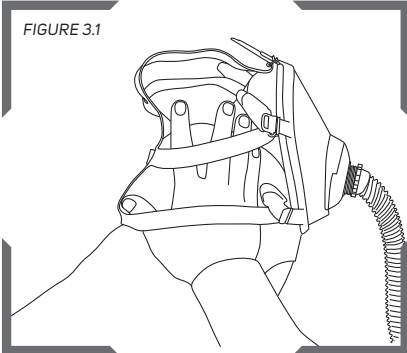
⚠ WARNING

Always check the interior of the respirator for contaminants before donning. Always don and doff the face mask while outside the work area, keeping the interior of the face mask clean and free of contaminants. Not doing these steps could expose you to hazardous materials, and contaminants that could impair the function of the respirator.

DONNING YOUR RESPIRATOR MASK

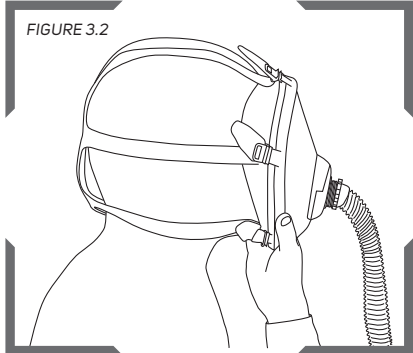
Once you have completed the set up, you are ready to fit your RPB[®] T150[™]. Firstly check inside the face mask to ensure that it is free of dust, dirt or contaminants. Follow the Donning instructions in this manual.

FIGURE 3.1



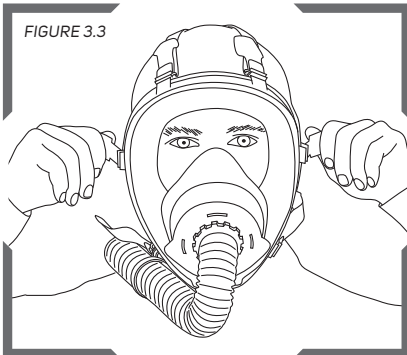
Put head harness behind your neck and keep the two lower straps of the harness open with your hands.

FIGURE 3.2



Pull the mask down putting your chin in first while making sure it fits snugly over your face.

FIGURE 3.3



Adjust the mask on your face, by firstly adjusting the side straps, then the upper and finally the lower ones. Perform a Fit Check (See page 8 or 10 for instructions).

DOFFING YOUR RESPIRATOR MASK

When you have finished working, leave the work area wearing the respirator with air flowing into the face mask. Once outside the contaminated area remove the respirator and disconnect the air supply hose. Depending on the contaminants, it may be advisable to clean the exterior of the face mask and your work garments before removing the respirator. A workplace cleaning program may be necessary.

STORAGE

Before storing the respirator, clean the unit following the cleaning instructions in this instruction manual. Be sure it is clean, both inside and out. After use, store the respirator by hanging it up in a clean, dry place, away from the work area. If the T150™ isn't going to be used for a longer period of time, store in a container or a bag. Store in a cool dry place between -10°C to +45°C (14°F to 113°F) <90%rh.

rpb[®] T150[™] SERIES

INSPECTION, MAINTENANCE AND CLEANING

As the T150[™] Supplied Air Respirator has a limited service life, a regular inspection and replacement program must be conducted. Before using the respirator all parts should be inspected for damage or wear and tear. Replace all worn or damaged parts immediately. Use only parts and components that are part of the NIOSH approved respirator assembly. Refer to Parts and Accessories section on pages 20-22 for part numbers.

HOW TO CLEAN AND INSPECT THE T150[™]

Table 2.1

TYPE OF ACTION	BEFORE EVERY USE	AFTER EVERY USE	MONTHLY	EVERY FIVE YEARS
CLEANING		X		
DISINFECTING		X*	X	
GENERAL VISUAL CHECK	X		X	
INHALATION VALVE REPLACEMENT				X
INNER MASK VALVES REPLACEMENT				X
TIGHTNESS CHECK	X			

*If shared with multiple users.

MAINTENANCE

Monthly and before use check (general visual check)

Examine the mask and check it. Use the same procedure for monthly check. If the mask has any defects it must not be used before the faulty parts are replaced.

CLEANING AND DISINFECTING

Be cautious of any dangerous or hazardous contaminants deposited on the mask. All cleaning should take place in safe areas. Do not use abrasive substances or solvents to clean the visor. Do not clean this respirator with volatile chemicals as it may damage the respirator and the residue may be harmful to the user. Use exclusively this procedure to clean and disinfect the mask:

1. After removing mask, clean under running water to remove most of the contaminants; then clean more fully by placing in hot water (temperature not above 40°C/104°F) with a neutral soap. If disinfection is required, use a solution of common disinfectant based on quaternary ammonium compounds.
2. Dry the mask with a soft, clean cloth or let it dry naturally.
3. Clean the dry visor with clean cotton wool.

BREATHING AIR LINE

The breathing air line should be inspected for cuts, cracks, blisters and signs of abrasion. Make sure the fittings are firmly crimped to the hose and air cannot escape. Make sure the hose has not been crushed or kinked. Replace the hose immediately if there are any signs of damage. Do not run water through the inside of the hose. Clean the Quick Disconnect Couplings with an air blow

down gun to remove any sand or dirt that may jam the coupler.

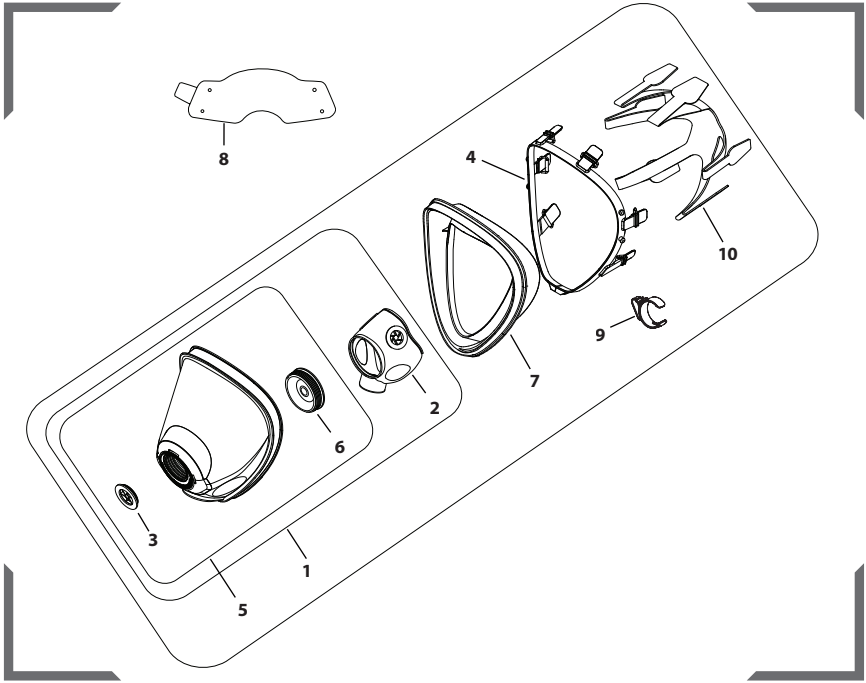
BREATHING TUBE ASSEMBLY

Inspect the Breathing Tube O3-O31 for splits or excessive wear. Check that the fittings are secured into the tube and are not allowing any air to escape. Replace the tube as soon as signs of damage or excessive wear become evident. Do not remove the foam that is inside the Breathing Tube as it reduces the noise level of the incoming air. Do not run water through the inside of the breathing tube.

rpb[®] T150™ SERIES

PARTS AND ACCESSORIES

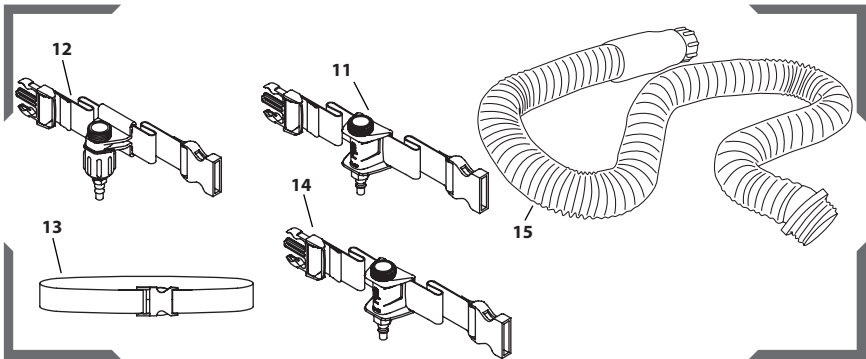
MASK AND ACCESSORIES *FIGURE 4.1*



Item No.	Description	Part No.
1	T150™ and Face Seal Assembly	11-910
2	Inner Face Seal	11-911
3	Inhalation Valve	11-912
4	Clamping Band	11-913
5	T150™ Face Shield and Valves	11-914
6	Exhalation Valve	11-915
7	TPR Face Seal	11-916
	Silicone Face Seal	11-916-S
8	Peel off Lens	11-924
9	Breathing Tube Bracket	11-948
10	Rubber Head Suspension	11-933
	Comfort Head Suspension	11-934

BREATHING TUBES AND CONTROL DEVICES

FIGURE 4.2



Item No.	Description	Part No.
11	Constant Flow Valve Assembly	03-101
12	Flow Control Valve Assembly	NV2016
13	Replacement Belt	NV2022
14	Constant Flow Valve Assembly - Low Pressure	03-106
15	Flexible Breathing Tube	03-031

**WARNING**






Use only exact, authentic RPB® replacement parts (marked with the RPB® logo and part number), and only in the specified configuration. Using incomplete or inappropriate equipment, including the use of counterfeit or non-RPB® parts, can result in inadequate protection and will void the NIOSH approval of the entire respirator assembly.

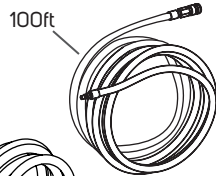
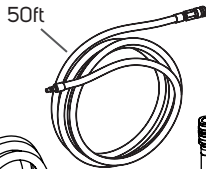
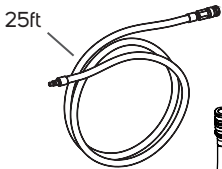
rpb[®] T150[™] SERIES

PARTS AND ACCESSORIES CONTINUED

AIR SUPPLY HOSES

FIGURE 4.3

Series	1. Couplers	2. Plugs	3. Breathing Air Line
RPB Quick Disconnect	NV2025 1/4" FM NPT 		NV2028 RPB 25ft NV2029 RPB 50ft NV2027 RPB 100ft
Schrader Twist Lock	03-042-CF 1/4" FM NPT 	03-042-PM 1/4" M NPT 03-043-PM 3/8" M NPT 03-042-PMS 1/4" M NPT SWIVEL 	04-342-25 Schrader 25ft 04-342-50 Schrader 50ft 04-342-100 Schrader 100ft
RPB Low Pressure	NV2037 3/8" Hose Barb 	NV2034 3/8" Hose Barb 	NV2035 RPB 50ft NV2036 RPB 100ft



Low Pressure Breathing Air Line 50ft.

Low Pressure Breathing Air Line 100ft.

LIMITED WARRANTY

RPB® warrants that its Products will be free from defects in materials and workmanship for one (1) year, subject to the terms of this limited warranty. The Products are sold only for commercial use, and no consumer warranties apply to the Products. This limited warranty is for the benefit of the original Product purchaser, and cannot be transferred or assigned. This is the sole and exclusive warranty provided by RPB®, and ALL CONDITIONS AND IMPLIED WARRANTIES (INCLUDING ANY WARRANTY OF MERCHANTABILITY OR FITNESS FOR A PARTICULAR PURPOSE) ARE EXCLUDED AND DISCLAIMED FROM WARRANTY COVERAGE. RPB's® limited warranty coverage does not apply to damage resulting from accident, improper use or misuse of the Products, wear and tear resulting from the normal use of the Products, or the failure to properly maintain the Products.

RPB's® limited warranty coverage runs from the original date of purchase of the Products, and applies only to warranted defects which first manifest themselves and are reported to RPB® within the warranty period. RPB® retains the right to determine to its reasonable satisfaction whether any claimed defect is covered by this limited warranty.

If a warranted defect occurs, RPB® will repair or replace the defective Product (or a component of the Product), in its sole discretion. This "repair or replacement" remedy is the sole and exclusive remedy under this limited warranty, and under no circumstances shall RPB's® liability under this limited warranty exceed the original purchase price for the Products (or the applicable component). RPB® has no responsibility for incidental or consequential damages, including loss of use, maintenance and other costs, and ALL INCIDENTAL AND CONSEQUENTIAL DAMAGES ARE EXCLUDED AND DISCLAIMED from this limited warranty. Contact RPB® to obtain warranty service. Proof of purchase must be provided to obtain warranty service. All costs of returning the Products to RPB® for warranty service must be paid by the purchaser.

RPB® reserves the right to improve its Products through changes in design or materials without being obligated to purchasers of previously manufactured Products.

LIABILITY

RPB® Safety cannot accept any liability of whatsoever nature arising directly or indirectly from the use or misuse of RPB® Safety products, including purposes that the products are not designed for. RPB® Safety is not liable for damage, loss or expense resulting from the failure to give advice or information or the giving of incorrect advice or information, whether or not due to RPB® Safety's negligence or that of its employees, agents or subcontractors.

PROPOSITION 65 - CALIFORNIA RESIDENTS

WARNING: This product contains a chemical known to the State of California to cause cancer.

WARNING: This product contains a chemical known to the State of California to cause birth defects or other reproductive harm.

OTHER PRODUCTS

ISO9001
CERTIFIED COMPANY

RPB® NOVA 3® RESPIRATOR

The RPB® NOVA 3® combines breakthrough protection technology with advanced comfort and functionality, surpassing even the most rigorous industry standards and the demands of the most quality-conscious companies. Designed to optimize safety and productivity, and to minimize worker downtime, the helmet has a host of features that maximize its lifetime value.



AIRLINE FILTRATION

The RPB® RADEX AIRLINE FILTER™ offers increased capacity, versatility and filtration. This optional equipment combines the versatility of either floor or wall mounting with increased filtration capacity, enabling customization to meet worker's needs and working environments.



AIR QUALITY MONITORING

Do you need an intelligent gas monitor that can give you complete confidence in the air you and your employees are breathing? The RPB® GX4® Gas Monitor has the ability to detect up to 4 gases simultaneously, giving you total peace of mind.



1-866-494-4599
RPBSAFETY.COM

rpb®